



Invacare® Top End® Pro Basketball™ Wheelchair



Order Information			
Provider Information:		End User Information:	
Date:	Name:	Height:	
IVC Acct #:	Ship to Address:	Weight (lbs.):	
Contact:	Address Line 2:	Leg Length (in.):	
Phone #:	City:	Hip Width (in.):	
Fax/Email:	State:	Zip:	Phone #:
Ship to Provider	Ship to End User:		Email:

ORDER REQUEST TYPE:		
Quote	Order	PO #

BASE MODEL:			
10000	Top End Pro BB Wheelchair <small>Note: Chair ordered without wheels, tires, axles or handrims starts at \$2,625</small>		€ 3.035,00
Assembly: (see definitions)			
10048	Assembled		€ 0
SIZING: (See exclusions and diagrams below)			
SEAT WIDTH:			
15005	10" Seat Width		€ 0
15007	11" Seat Width		€ 0
15009	12" Seat Width		€ 0
15011	13" Seat Width		€ 0
15013	14" Seat Width		€ 0
15015	15" Seat Width		€ 0
15017	16" Seat Width		€ 0
15019	17" Seat Width		€ 0
15021	18" Seat Width		€ 0
15023	19" Seat Width		€ 0
15025	20" Seat Width		€ 0
SEAT DEPTH:			
15034	10" Seat Depth		€ 0
15036	11" Seat Depth		€ 0
15038	12" Seat Depth		€ 0
15040	13" Seat Depth		€ 0
15042	14" Seat Depth		€ 0
15044	15" Seat Depth		€ 0
15046	16" Seat Depth		€ 0
15048	17" Seat Depth		€ 0
15050	18" Seat Depth		€ 0
BACK HEIGHT:			
15126	Adjustable 9" to 11"		€ 0
15127	Adjustable 10" to 14"		€ 0
15128	Adjustable 14" to 18"		€ 0



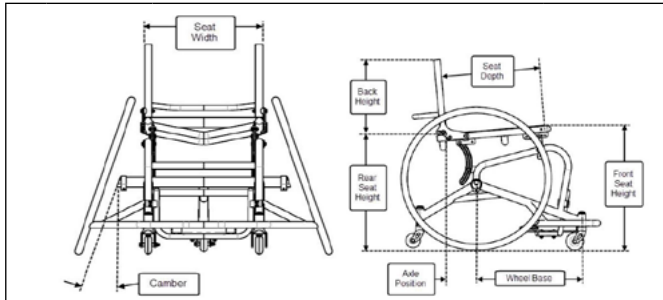
SEAT HEIGHT:			
15099	Adjustable Front: 19" to 21" (Tall) Adjustable Rear: 15" to 21"		€ 0
15100	Adjustable Front: 17" to 19" (Short) Adjustable Rear: 13" to 17"		€ 0
WHEELBASE: (See diagrams below)			
75066	15" Wheelbase		€ 0
75068	17" Wheelbase		€ 0
75070	19" Wheelbase		€ 0

WHEELBASE GUIDE:			
Seat Depth:	10" - 14"	15" - 16"	17" - 18"
Recommended Wheelbase:	15"	17"	19"

CAMBER ANGLE: (See diagram below)			
45008	15 Degree Camber		€ 0
45009	18 Degree Camber		€ 0
45010	20 Degree Camber		€ 0



Invacare® Top End® Pro Basketball™ Wheelchair



WHEEL SETS: (see diagram below)			
WHEEL SIZE:			
50190	24" (540)		€ 0
50191	25" (559)		€ 0
50192	26" (590)		€ 0
WHEEL STYLE:			
High Performance Wheels:			
50194	Omit Wheels & Axles, Build for HP		€ 0
50196	High Performance		€ 0
Spinergy Wheels:			
50195	Omit Wheels & Axles, Build for Spinergy		€ 0
50197	Spinergy SLX		€ 930,00
50198	Spinergy XSLX		€ 988,00
SPOKE COLOR:			
50273	Red		€ 0
50274	Yellow		€ 0
50275	Green		€ 0
50276	Blue		€ 0
50277	Pink		€ 0
50278	Purple		€ 0
50279	Orange		€ 0
50280	Black		€ 0
50282	White		€ 0
50283	Metal (High Performance wheels only)		€ 0
50281	Custom (See Page 5)		€ 231,00
HANDRIMS:			
50307	Omit Handrims		€ 0
50297	6 Tabs, Aluminum, Anodized		€ 0
50299	12 Tabs, Aluminum, Anodized Spinergy Only		€ 173,00
HANDRIM MOUNTING:			
50308	Standard Mount		€ 0
50309	Close Mount		€ 0
50310	Close Mount with Cut Tabs		€ 113,00
TIRES:			
50169	Omit Tires		€ 0
50216	Primo Grey		€ 0
50217	Kenda Red		€ 77,00
50218	Kenda Yellow		€ 77,00
BACK TYPE:			
15159	Non-Fold-Down, Angle Adjustable back		€ 0

CENTER OF GRAVITY:			
45072	Adjustable 3.5" to 5.5"		€ 0
ANTI-TIP:			
20030	Single, Adjustable Height		€ 0
20031	Double, Adjustable Height		€ 182,00
FOOTREST:			
60001	Platform, Height Adjustable		€ 0
60030	Click Strap, Single Pad		€ 126,00
SIDE GUARDS:			
20016	Omit Side Guards		€ 0
20004	Fixed, Aluminum, Clamp-on		€ 125,00
UPHOLSTERY:			
MATERIAL & COLOR:			
30001	Nylon, Black		€ 0
30003	Nylon, Digital Camouflage		€ 130,00
SEAT STYLE:			
30019	Screw - On Seat Upholstery		€ 0
BACK STYLE:			
30012	Adjustable Tension Back Upholstery		€ 0
30004	Adjustable Tension Back Upholstery with Leather Flaps and Aluminum Dome Plugs (see definitions)		€ 103,00
SEAT CUSHIONS:			
30005	2" Soft Cushion		€ 0
30006	3" Soft Cushion		€ 108,00
30008	2" Hard Cushion		€ 108,00
30009	3" Hard Cushion		€ 108,00
30010	4" Hard Cushion		€ 108,00

WHEEL SIZE GUIDE:			
Rear Seat Height:	Short	Short or Tall	Tall
Player Specifications:	Junior's/ Short Arms	Adult/3.0 or Lower	Adult/3.5 or Higher
Recommended Wheel Size:	24"	25"	26"

FRAME COLOR:			
55018	Black		€ 0
55019	Black		€ 0
55017	Black		€ 0
55010	Blue		€ 0
55011	Blue		€ 0
55012	Blue		€ 0
55023	Grey		€ 0
55053	Green		€ 0
55008	Green		€ 0
55054	Green		€ 0
55006	Orange		€ 0
55005	Orange		€ 0
55051	Orange		€ 0
55015	Pink		€ 0
55057	Pink		€ 0



Invacare® Top End® Pro Basketball™ Wheelchair



55055	Purple	€ 0
55001	Red	€ 0
55002	Red	€ 0
55003	Red	€ 0
55050	Red	€ 0
55020	Silver	€ 0
55016	White	€ 0
55007	Yellow	€ 0
55052	Yellow	€ 0
55070	Raw	€ 0

ACCESSORIES:

STANDARD:

25066	Calf Strap	€ 0
-------	------------	-----

UPGRADABLE:

SAFETY:

25004	Rear Frame Protector <i>(Required for Tournament Play)</i>	€ 64,00
-------	---------------------------------------------------------------	---------

POSITIONING:

25013	Hook and Loop Strap	€ 66,00
25012	Metal O-Ring Strap	€ 145,00
25001	Click Strap, 8" Small	€ 126,00
25002	Click Strap, 10" Medium	€ 126,00
25003	Click Strap, 12" Large	€ 126,00

PERFORMANCE ENHANCEMENTS:

25022	Wheel Alignment Gauge	€ 108,00
-------	-----------------------	----------

APPAREL:

25084	Lemon Yellow Top End T-Shirt	€ 27,00
25085	Grey Top End T-Shirt	€ 27,00
25086	Grey Top End Racer Back Tank Top	€ 27,00

Please select a size for your shirt selection:

25087	Extra Small
25088	Small
25089	Medium
25090	Large
25091	Extra Large
25092	XX Large
25093	XXX Large

EXCLUSIONS:

Wheels and Tires: Must choose the same size tires and handrims as wheels.

Width and Depth Specifications:

All sizes for Width (W) by Depth (D) that is

	D10	D11	D12	D13	D14	D15	D16	D17	D18
W10									
W11									
W12									
W13									
W14									
W15									
W16									
W17									
W18									
W19									
W20									

DEFINITIONS:

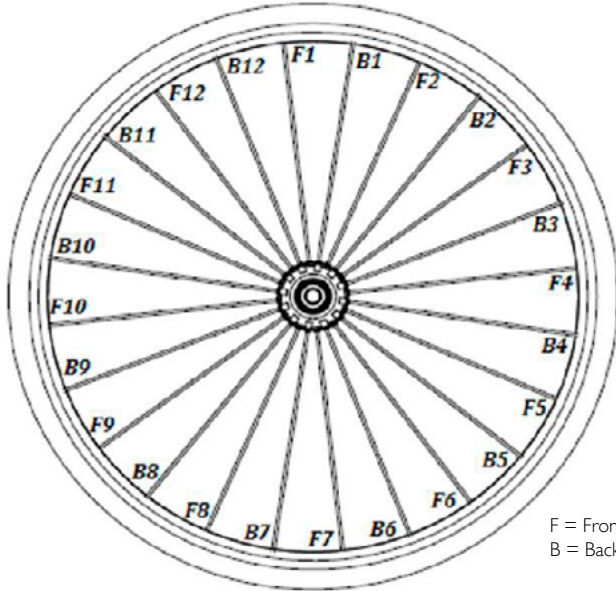
Assembly and Shipping: Arrives factory assembled, rear wheels and some accessories will need to be installed. Shipping rate is \$150 for all shipments in the continental US. Freight quotes for shipments outside the continental US are available upon request.

Leather Flaps with Aluminum Dome Plugs: When the Leather Upgrade is chosen the flaps (part of the upholstery that goes down over the back posts) will be made of leather. Also, the caps on the backrest post will be aluminum. This is used to help reinforce the back upholstery and help prevent tearing.

Warranty Info:

Invacare warrants the frames when purchased new and unused to be free from defects in materials and workmanship for a period of three (3) years from the date of purchase from Invacare or a dealer, with a copy of the seller's invoice required for coverage under this warranty. Invacare warrants the upholstered materials (seat and back) and remaining components of this product when purchased new and unused to be free from defects in materials and workmanship for a period of thirteen (13) months from date of purchase from Invacare or a dealer, with a copy of the seller's invoice required for coverage under this warranty. Note: All special requests are subject to approval, additional charges, and additional lead time.

Note: All Special requests are subject to approval, additional charges and additional lead time.	
Special Request 1)	
Special Request 2)	
Special Request 3)	
Special Request 4)	
Special Request 5)	



F = Front Spoke
B = Back Spoke

CUSTOM SPINERGY SLX:	
Wheel Size	
Hub Color	

CUSTOM SPINERGY SLX:	
Spoke Color:	
F1	
B1	
F2	
B2	
F3	
B3	
F4	
B4	
F5	
B5	
F6	
B6	
F7	
B7	
F8	
B8	
F9	
B9	
F10	
B10	
F11	
B11	
F12	
B12	



F = Front Spoke
B = Back Spoke

CUSTOM SPINERGY XSLX:	
Wheel Size	
Hub Color	

CUSTOM SPINERGY XSLX:	
Spoke Color:	
F1	
B1	
F2	
B2	
F3	
B3	
F4	
B4	
F5	
B5	
F6	
B6	
F7	
B7	
F8	
B8	
F9	
B9	
F10	
B10	
F11	
B11	
F12	
B12	