



Invacare® Top End® Pro™ Tennis Wheelchair



Order Information			
Provider Information:		End User Information:	
Date:	Name:	Height:	
IVC Acct #:	Ship to Address:	Weight (lbs.):	
Contact:	Address Line 2:	Leg Length (in.):	
Phone #:	City:	Hip Width (in.):	
Fax/Email:	State:	Zip:	Phone #:
Ship to Provider	Ship to End User:		Email:

ORDER REQUEST TYPE:		
Quote	Order	PO #

BASE MODEL:			
10001	Top End Pro Tennis Wheelchair Note: Chair ordered without wheels, tires, axles or handrims starts at \$2,425	€ 3.035,00	
Assembly: (see definitions)			
10048	Assembled	€ 0	
SIZING: (see exclusions and diagrams below)			
SEAT WIDTH:			
15005	10" Seat Width	€ 0	
15007	11" Seat Width	€ 0	
15009	12" Seat Width	€ 0	
15011	13" Seat Width	€ 0	
15013	14" Seat Width	€ 0	
15015	15" Seat Width	€ 0	
15017	16" Seat Width	€ 0	
15019	17" Seat Width	€ 0	
15021	18" Seat Width	€ 0	
15023	19" Seat Width	€ 0	
15025	20" Seat Width	€ 0	
SEAT DEPTH:			
15034	10" Seat Depth	€ 0	
15036	11" Seat Depth	€ 0	
15038	12" Seat Depth	€ 0	
15040	13" Seat Depth	€ 0	
15042	14" Seat Depth	€ 0	
15044	15" Seat Depth	€ 0	
15046	16" Seat Depth	€ 0	
15048	17" Seat Depth	€ 0	
15050	18" Seat Depth	€ 0	
BACK HEIGHT:			
15126	Adjustable 9" to 11"	€ 0	
15127	Adjustable 10" to 14"	€ 0	
15128	Adjustable 14" to 18"	€ 0	



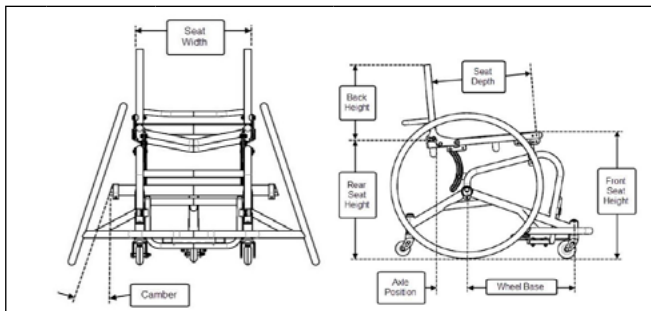
SEAT HEIGHT:			
15099	Adjustable Front: 19" to 21" (Tall) Adjustable Rear: 15" to 21"	€ 0	
15100	Adjustable Front: 17" to 19" (Short) Adjustable Rear: 13" to 17"	€ 0	
WHEELBASE: (Front to Rear Axle) (see Diagram below)			
75066	15" Wheelbase	€ 0	
75068	17" Wheelbase	€ 0	
75070	19" Wheelbase	€ 0	

WHEELBASE GUIDE:			
Seat Depth:	10" - 14"	15" - 16"	17" - 18"
Recommended Wheelbase:	15"	17"	19"

CAMBER ANGLE: (see Diagram below)			
45008	15 Degree Camber	€ 0	
45009	18 Degree Camber	€ 0	
45010	20 Degree Camber	€ 0	



Invacare® Top End® Pro™ Tennis Wheelchair



REMOVABLE SEAT EXTENSION HANDLE:		
20040	Right Side Only	€ 51,00
20041	Left Side Only	€ 51,00
20042	Both Left and Right Side	€ 51,00
WHEEL SETS: (see diagram below)		
WHEEL SIZE:		
50190	24" (540)	€ 0
50191	25" (559)	€ 0
50192	26" (590)	€ 0
WHEEL STYLE:		
High Performance Wheels:		
50194	Omit Wheels & Axles, Build for HP	€ 0
50196	High Performance	€ 0
Spineray Wheels:		
50195	Omit Wheels & Axles, Build for Spineray	€ 0
50197	Spineray SLX	€ 930,00
50198	Spineray XSLX	€ 988,00
SPOKE COLOR:		
50273	Red	€ 0
50274	Yellow	€ 0
50275	Green	€ 0
50276	Blue	€ 0
50277	Pink	€ 0
50278	Purple	€ 0
50279	Orange	€ 0
50280	Black	€ 0
50282	White	€ 0
50283	Metal (High Performance wheels only)	€ 0
50281	Custom (See Page 5)	€ 231,00
HANDRIMS:		
50307	Omit Handrims	€ 0
50297	6 Tabs, Aluminum, Anodized	€ 0
50299	12 Tabs, Aluminum, Anodized Spineray Only	€ 173,00
HANDRIM MOUNTING:		
50308	Standard Mount	€ 0
50309	Close Mount	€ 0
50310	Close Mount with Cut Tabs	€ 113,00
TIRES:		
50169	Omit Tires	€ 0
50216	Primo Grey	€ 0

50217	Kenda Red	€ 77,00	
50218	Kenda Yellow	€ 77,00	
BACK TYPE:			
15159	Non-Fold-Down, Angle Adjustable Back	€ 0	
CENTER OF GRAVITY:			
45072	Adjustable 3.5" to 5.5"	€ 0	
ANTI-TIP:			
20030	Single, Adjustable Height	€ 0	
20032	Telescoping	€ 290,00	
FOOTREST:			
60001	Platform, Height Adjustable	€ 0	
60030	Click Strap, Single Pad	€ 126,00	
SIDE GUARDS:			
20016	Omit Side Guards	€ 0	
20004	Fixed, Aluminum, Clamp-on	€ 125,00	
UPHOLSTERY:			
MATERIAL & COLOR:			
30001	Nylon, Black	€ 0	
30003	Nylon, Digital Camo	€ 130,00	
SEAT STYLE UPHOLSTERY:			
30019	Screw-On Seat Upholstery	€ 0	
BACK STYLE UPHOLSTERY:			
30012	Adjustable Tension Back Upholstery	€ 0	
30004	Adjustable Tension Back Upholstery with Leather Flaps and Aluminum Dome Plugs (see definitions)	€ 103,00	
CUSHIONS:			
30005	2" Soft Cushion	€ 0	
30006	3" Soft Cushion	€ 108,00	
30008	2" Hard Cushion	€ 108,00	
30009	3" Hard Cushion	€ 108,00	
30010	4" Hard Cushion	€ 108,00	
WHEEL SIZE GUIDE:			
Rear Seat Height:	Short	Short or Tall	Tall
Player Specifications:	Junior's/ Short Arms	Adult/3.0 or Lower	Adult/3.5 or Higher
Recommended Wheel Size:	24"	25"	26"
ACCESSORIES:			
STANDARD:			
25066	Calf Strap	€ 0	
UPGRADABLE:			
SAFETY:			
25004	Rear Frame Protector	€ 64,00	
POSITIONING:			
25013	Hook and Loop Strap	€ 66,00	
25001	Click Strap, 8" Small	€ 126,00	
25002	Click Strap, 10" Medium	€ 126,00	
25003	Click Strap, 12" Large	€ 126,00	
PERFORMANCE ENHANCEMENTS:			
25022	Wheel Alignment Gauge	€ 108,00	



Invacare® Top End® Pro™ Tennis Wheelchair

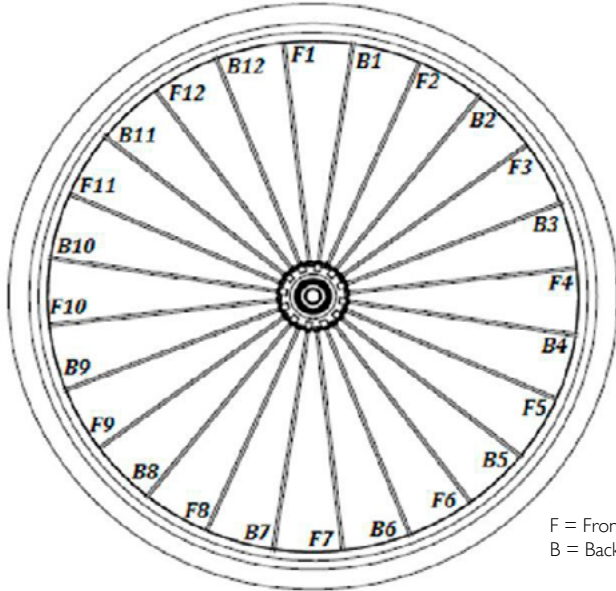


APPAREL:			
25084	Lemon Yellow Top End T-Shirt		€ 27,00
25085	Grey Top End T-Shirt		€ 27,00
25086	Grey Top End Racer Back Tank Top		€ 27,00
Please select a size for your shirt selection:			
25087	Extra Small		
25088	Small		
25089	Medium		
25090	Large		
25091	Extra Large		
25092	XX Large		
25093	XXX Large		
FRAME COLOR:			
55018	Black	Wet Black	€ 0
55019	Black	Black Prism	€ 0
55017	Black	Stealth Black	€ 0
55010	Blue	Midnight Blue	€ 0
55011	Blue	Royal Blue	€ 0
55012	Blue	Electric Blueberry	€ 0
55023	Grey	Stealth Grey	€ 0
55053	Green	Agriculture Green	€ 0
55008	Green	Grasshopper Green	€ 0
55054	Green	Neon Green	€ 0
55006	Orange	Sunkissed Orange	€ 0
55005	Orange	Simple Orange	€ 0
55051	Orange	Neon Orange	€ 0
55015	Pink	Bubblegum Pink	€ 0
55057	Pink	Neon Pink	€ 0
55055	Purple	Lilac Purple	€ 0
55001	Red	Simple Red	€ 0
55002	Red	Tangerine Red	€ 0
55003	Red	Raspberry Red	€ 0
55050	Red	Neon Red	€ 0
55020	Silver	Silver Metallic	€ 0
55016	White	White Snow	€ 0
55007	Yellow	Safety Yellow	€ 0
55052	Yellow	Neon Yellow	€ 0
55070	Raw	Buffed Aluminum	€ 0

DEFINITIONS:																																																																																																																									
Assembly and Shipping:	Arrives factory assembled, rear wheels and some accessories will need to be installed. Shipping rate is \$150 for all shipments in the continental US. Freight quotes for shipments outside the continental US are available upon request.																																																																																																																								
Leather Flap with Aluminum Dome Plugs:	When the Leather Upgrade is chosen the flaps (part of the upholstery that goes down over the back posts) will be made of leather. Also, the caps on the backrest post will be aluminum. This is used to help reinforce the back upholstery and help prevent tearing.																																																																																																																								
EXCLUSIONS:																																																																																																																									
Wheels, Handrims, & Tires:	Must choose the same size tires and handrims as wheels.																																																																																																																								
Seat Width and Seat Depth:	<table border="1" style="margin-left: 20px;"> <thead> <tr> <th></th> <th>D10</th> <th>D11</th> <th>D12</th> <th>D13</th> <th>D14</th> <th>D15</th> <th>D16</th> <th>D17</th> <th>D18</th> </tr> </thead> <tbody> <tr><td>W10</td><td></td><td></td><td></td><td></td><td></td><td></td><td></td><td></td><td></td></tr> <tr><td>W11</td><td></td><td></td><td></td><td></td><td></td><td></td><td></td><td></td><td></td></tr> <tr><td>W12</td><td></td><td></td><td></td><td></td><td></td><td></td><td></td><td></td><td></td></tr> <tr><td>W13</td><td></td><td></td><td></td><td></td><td></td><td></td><td></td><td></td><td></td></tr> <tr><td>W14</td><td></td><td></td><td></td><td></td><td></td><td></td><td></td><td></td><td></td></tr> <tr><td>W15</td><td></td><td></td><td></td><td></td><td></td><td></td><td></td><td></td><td></td></tr> <tr><td>W16</td><td></td><td></td><td></td><td></td><td></td><td></td><td></td><td></td><td></td></tr> <tr><td>W17</td><td></td><td></td><td></td><td></td><td></td><td></td><td></td><td></td><td></td></tr> <tr><td>W18</td><td></td><td></td><td></td><td></td><td></td><td></td><td></td><td></td><td></td></tr> <tr><td>W19</td><td></td><td></td><td></td><td></td><td></td><td></td><td></td><td></td><td></td></tr> <tr><td>W20</td><td></td><td></td><td></td><td></td><td></td><td></td><td></td><td></td><td></td></tr> </tbody> </table>		D10	D11	D12	D13	D14	D15	D16	D17	D18	W10										W11										W12										W13										W14										W15										W16										W17										W18										W19										W20									
	D10	D11	D12	D13	D14	D15	D16	D17	D18																																																																																																																
W10																																																																																																																									
W11																																																																																																																									
W12																																																																																																																									
W13																																																																																																																									
W14																																																																																																																									
W15																																																																																																																									
W16																																																																																																																									
W17																																																																																																																									
W18																																																																																																																									
W19																																																																																																																									
W20																																																																																																																									
Warranty Info:																																																																																																																									

Invacare warrants the frames when purchased new and unused to be free from defects in materials and workmanship for a period of three (3) years from the date of purchase from Invacare or a dealer; with a copy of the seller's invoice required for coverage under this warranty. Invacare warrants the upholstered materials (seat and back) and remaining components of this product when purchased new and unused to be free from defects in materials and workmanship for a period of thirteen (13) months from date of purchase from Invacare or a dealer; with a copy of the seller's invoice required for coverage under this warranty.
Note: All Special requests are subject to approval, additional charges and additional lead time.

Note: All Special requests are subject to approval, additional charges and additional lead time.	
Special Request 1)	
Special Request 2)	
Special Request 3)	
Special Request 4)	
Special Request 5)	



F = Front Spoke
B = Back Spoke

CUSTOM SPINERGY SLX:	
Wheel Size	
Hub Color	

CUSTOM SPINERGY SLX:	
Spoke Color:	
F1	
B1	
F2	
B2	
F3	
B3	
F4	
B4	
F5	
B5	
F6	
B6	
F7	
B7	
F8	
B8	
F9	
B9	
F10	
B10	
F11	
B11	
F12	
B12	



F = Front Spoke
B = Back Spoke

CUSTOM SPINERGY XSLX:	
Wheel Size	
Hub Color	

CUSTOM SPINERGY XSLX:	
Spoke Color:	
F1	
B1	
F2	
B2	
F3	
B3	
F4	
B4	
F5	
B5	
F6	
B6	
F7	
B7	
F8	
B8	
F9	
B9	
F10	
B10	
F11	
B11	
F12	
B12	