

Spare Parts Catalogue

Version: 2017/04/19a NL



Invacare[®] Medley Ergo



Yes, you can.®

General Information

For any order of spare parts the following information is required:

- Product type*
- Product name & model*
- Serial Number*
- Part-Number*
- Part-Description*

Exploded view drawings and code numbers are not contractual and subject to modification, in relation to Invacare® continuous product improvement policy to meet end users needs.

The reproduction or use of this work, or of any substantial part of this work, in any form or by any electronic, mechanical or other means, including photocopying, scanning and recording, and in any information storage and retrieval system, including electronic transmission, is forbidden without the prior written permission of Invacare® International Sarl.



Yes, you can.[®]

TABLE OF CONTENTS

(Mattress)

(Mattress Deck - Wood)	5
(Mattress Deck - Steel)	6

(Bed End for lifting)

(Bed End - Low)	7
(Bed End - Standard)	8

(Bed electrical parts)

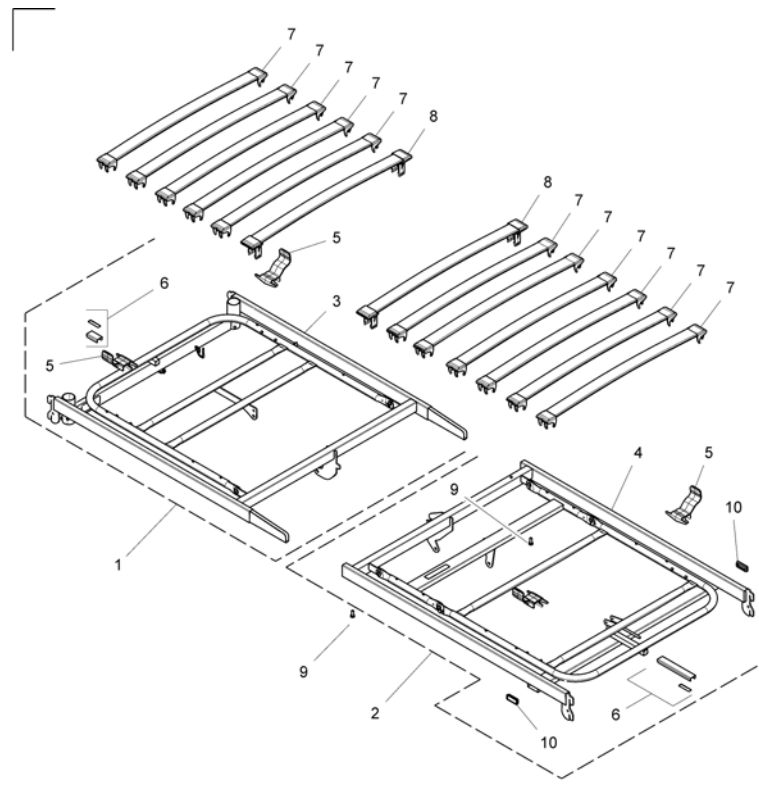
(Bed End - Actuator)	9
(Thigh Actuator)	10
(230 Volt Control Box / Actuator Head)	11
(24 Volt Control Box / Actuator Head)	12
(Hand Controls)	13

(Side rails)

(Side rails)	14
(Siderails - Verso II)	15

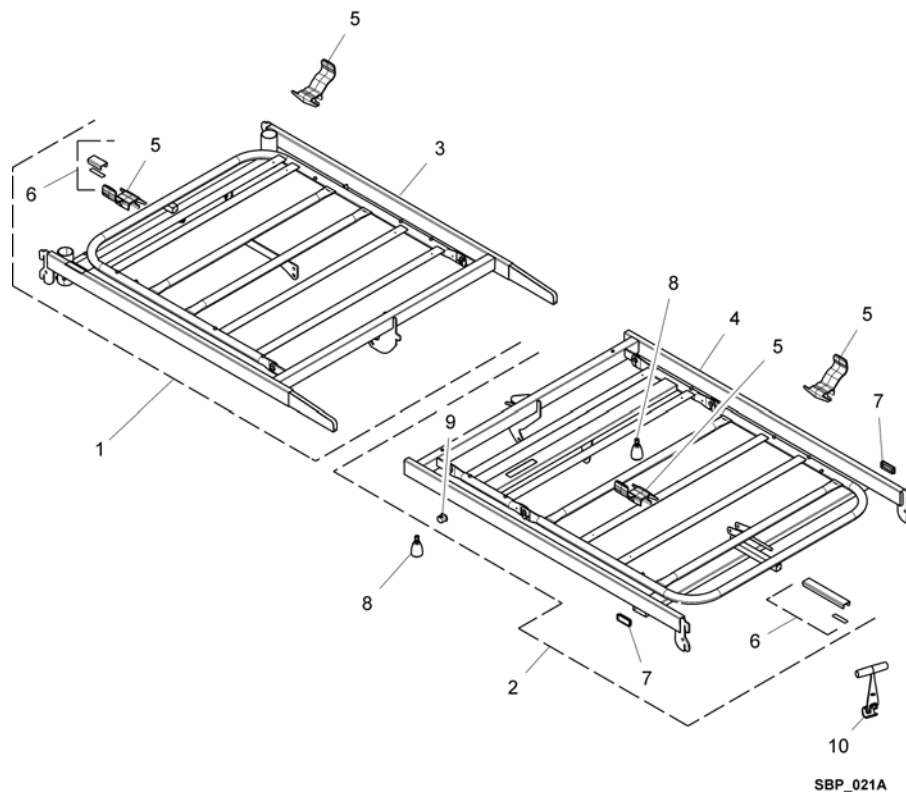
(Bed accessories)

(Bed End Cover - Medley Select)	16
(Transport Brackets)	17
(Rastofix)	18
(Equipotentiality)	19

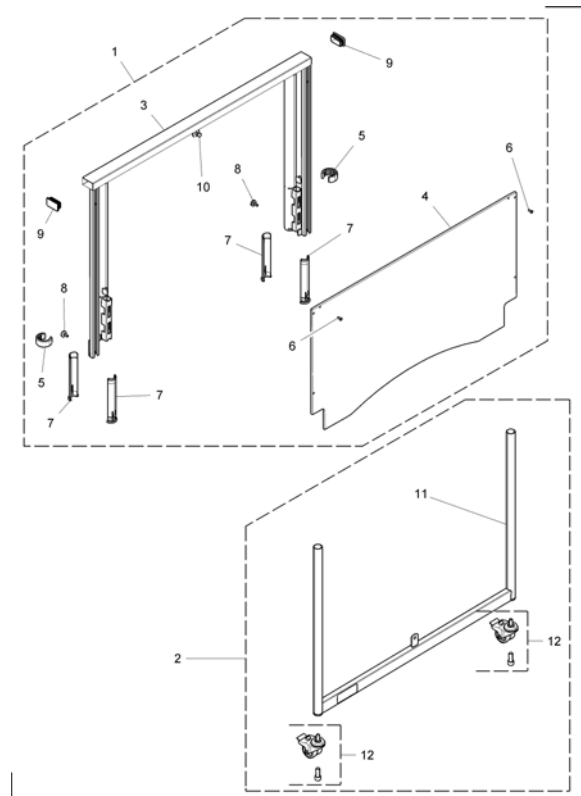


1	SP1177541	Medley Ergo inlegraam hoofteind hout <i>Includes items 3, 5, and 6, also includes Side Rail Label which is not shown in the illustration</i>	→ 31.03.2017	1
1	SP1602692	(Head Frame Kit (wood) - RAL7042) <i>Includes items 3, 5, and 6, also includes Side Rail Label which is not shown in the illustration</i>	03.04.2017 →	1
2	SP1177542	Medley Ergo inlegraam voeteind (hout) <i>Includes items 4, 5, and 6, also includes Adhesive Tape and Side Rail Label which are not shown in illustration.</i>	→ 31.03.2017	1
2	SP1602693	(Foot Frame Kit (wood) - RAL7042) <i>Includes items 4, 5, and 6, also includes Adhesive Tape and Side Rail Label which are not shown in illustration.</i>	03.04.2017 →	1
5	SP1423980	Medley Ergo matrashouder		4
6	SP1177543	Medley Ergo U-vorm besch strip zelfklevend (set) <i>Includes U Border Strip and Adhesive Tape.</i>		1
8	SP1563581	Medley Ergo houten lamel <i>Not Shown, Includes (2) Wood Slats.</i>		1
7	SP1563582	Medley Ergo eindkap lamel (set) <i>Not Shown, Includes (4) Wood Slat End Caps.</i>		1
8	SP1563583	Medley Ergo eindkap lamel (set) zitgedeelte <i>Not Shown, Includes (4) Wood Seat Slat End Caps.</i>		1
7	SP1177544	Medley Ergo lamellen hout+einddop set <i>Includes (2) End Caps and Wood Slat.</i>		1
8	SP1177545	Medley Ergo lamellen hout+einddop set zitgedeelte <i>Includes (2) End Caps and Wood Slat.</i>		1
9	SP1561873	Medley Ergo schroef M8x13 schroef (set)		2

(Mattress Deck - Steel)

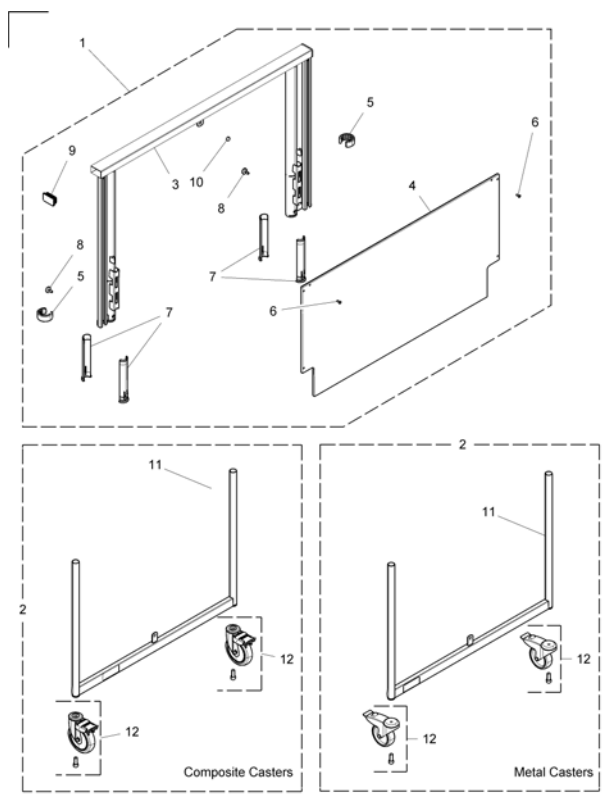


1	SP1177540	Medley Ergo inlegraam hoofdedeelte <i>Includes items 3, 5, and 6, also includes Side Rail Label which is not shown in the illustration.</i>	→ 31.03.2017	1
1	SP1602694	(Head Frame Kit (steel) - RAL7042) <i>Includes items 3, 5, and 6, also includes Side Rail Label which is not shown in the illustration.</i>	03.04.2017 →	1
2	SP1177339	Medley Ergo inlegraam beengedeelte <i>Includes items 4,5,6,7 and 9, also includes adhesive tape, Port Plug, and Side Rail Label which are not shown in the illustration.</i>	→ 31.03.2017	1
2	SP1602695	(Foot Frame Kit (steel) - RAL7042) <i>Includes items 4,5,6,7 and 9, also includes adhesive tape, Port Plug, and Side Rail Label which are not shown in the illustration.</i>	03.04.2017 →	1
5	SP1423980	Medley Ergo matrashouder		4
6	SP1177543	Medley Ergo U-vorm besch strip zelfklevend (set) <i>Includes U Border Strip, Master Bracket, and (2) Adhesive Tape.</i>		1
8	SP1561873	Medley Ergo schroef M8x13 schroef (set)		2
10	SP217996-7042	(Mattress Handle, RAL 7042)		1

(Bed End - Low)

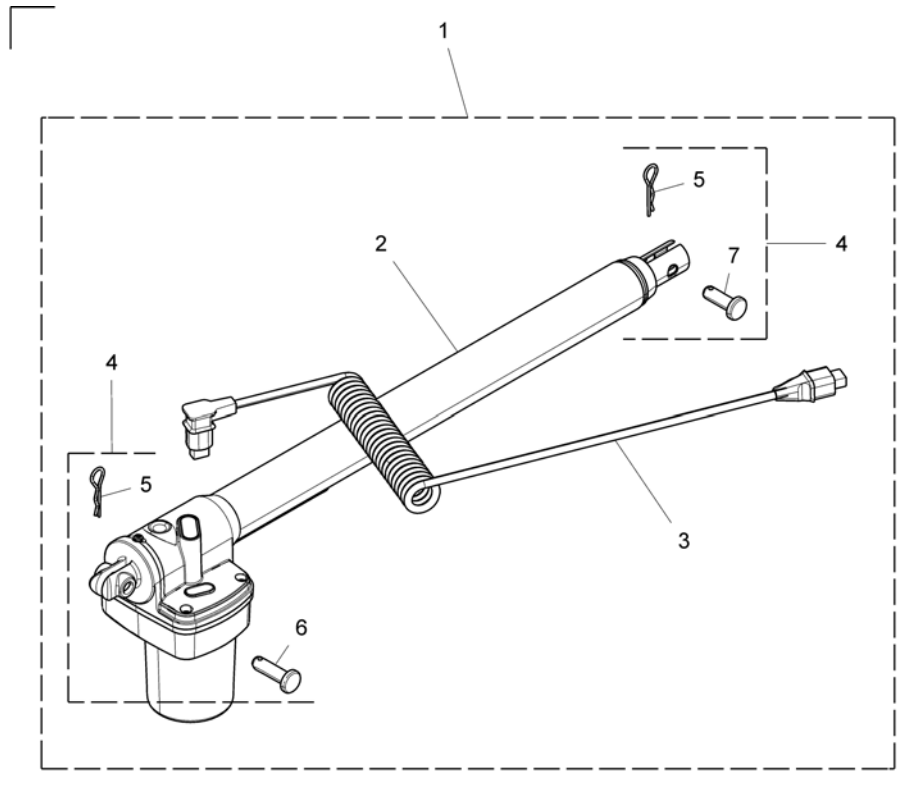
1	SP1177351	(Upper Bed End Kit Low - RAL0152) <i>Includes items 3 - 10</i>	→ 31.03.2017	2
1	SP1602696	(Upper Bed End Kit Low - RAL7042) <i>Includes items 3 - 10</i>	03.04.2017 →	2
2	SP1177353	(Lower Bed End Kit Low - RAL0152) <i>Includes items 11 - 12.</i>	→ 31.03.2017	2
2	SP1602697	(Lower Bed End Kit Low - RAL7042) <i>Includes items 11 - 12.</i>	03.04.2017 →	2
4	SP1537305	(Plate Bed end, Medley Low)		2
5	SP1177546	Medley Ergo vergrendelingsset		1
6	SP818305	(Tubular rivet 4,8 x 16 mm)		2
7	SP1563579	Medley Ergo hoofd/voetb plastic tube kit <i>Includes (4) Top Liners</i>		4
9	SP1563580	Medley Ergo hoofd-/voetenbord eindstop(2 stuks) <i>Includes (2) Plug Buttons</i>		2
8	SP1177547	Etude stelschroef vr.geleiderail (set van 4 stuks) <i>Includes (4) Finger Adjusting Screws.</i>		1
12	SP1177548	(Caster Asm 50mm) <i>Includes Caster and Screw</i>		4

(Bed End - Standard)



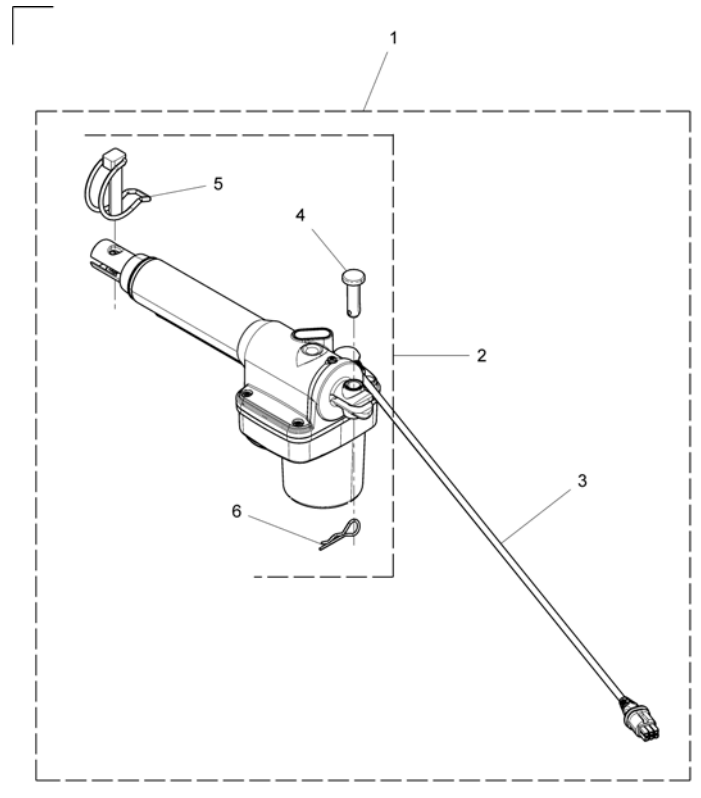
1	SP1177350	(Upper Bed End Kit Std - RAL0152) <i>Includes items 3 - 10</i>	→ 31.03.2017	2
1	SP1602698	(Upper Bed End Kit Std - RAL7042) <i>Includes items 3 - 10</i>	03.04.2017 →	2
2	SP1177352	(Lower Bed End Kit Metal - RAL0152) <i>Includes items 11 - 12</i>	→ 31.03.2017	2
2	SP1602699	(Lower Bed End Kit Metal - RAL7042) <i>Includes items 11 - 12</i>	03.04.2017 →	2
2	SP1177354	(Lower Bed End Kit Composite - RAL0152) <i>Includes items 11 - 12</i>	→ 31.03.2017	2
2	SP1602700	(Lower Bed End Kit Composite - RAL7042) <i>Includes items 11 - 12</i>	03.04.2017 →	2
4	SP1177447	(Plate Bed end, Medley)		2
5	SP1177546	Medley Ergo vergrendelingsset		1
6	SP818305	(Tubalar rivet 4,8 x 16 mm)		2
7	SP1563579	Medley Ergo hoofd/voetb plastic tube kit <i>Includes (4) Top Liners</i>		4
9	SP1563580	Medley Ergo hoofd-/voetenbord eindstop(2 stuks) <i>Includes (2) Plug Buttons</i>		2
8	SP1177547	Etude stelschroef vr.geleiderail (set van 4 stuks) <i>Includes (4) Finger Adjusting Screws</i>		1
12	SP1552392	(Caster Kit 100mm Metal) <i>Includes Caster and Screw</i>		1
12	SP1554588	Alegio wiel met rem 100mm kunststof <i>Includes Caster and Screw</i>		1

(Bed End - Actuator)



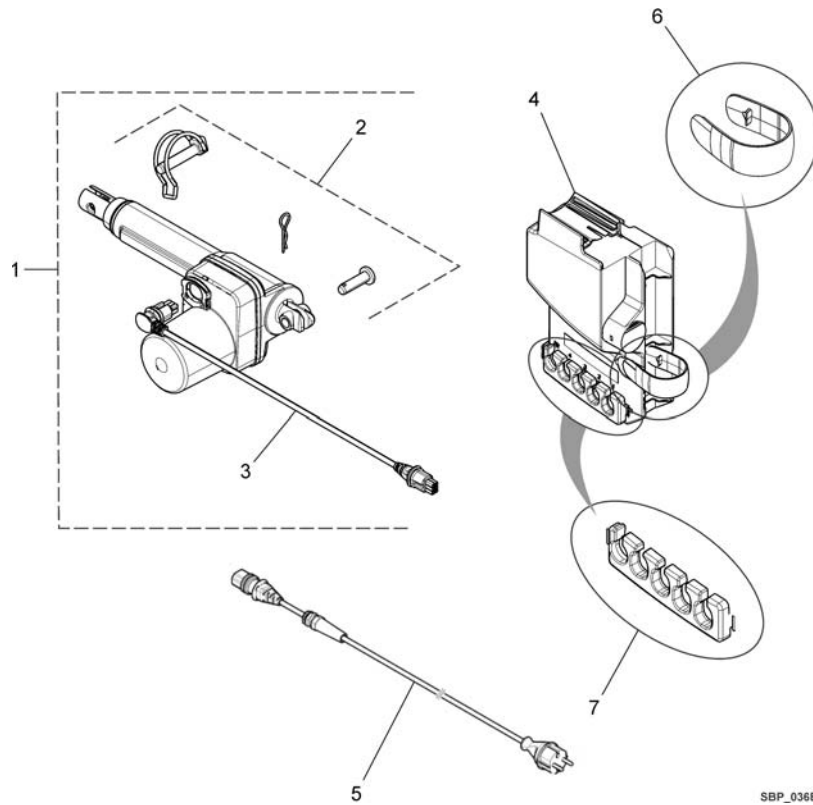
1	SP1177329	Medley Ergo Motor hoog laag ps <i>Includes items 2 - 7.</i>	2
3	SP1551453	Medley Ergo kabel motor voeteind	2
4	SP1177549	Medley Ergo bevestigings set H/L motoren <i>Includes items 5, 6, and 7</i>	2

(Thigh Actuator)



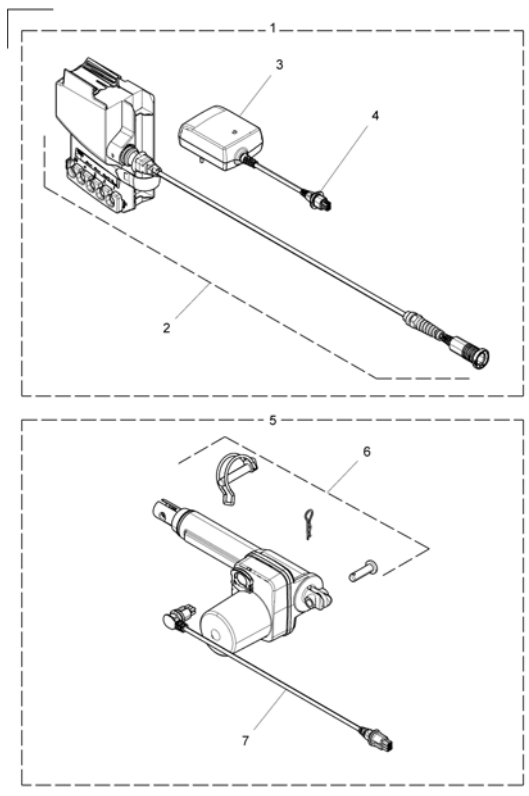
1	SP1557969	Medley Ergo motor beengedeelte set <i>Includes items 2, 3, 4, 5, and 6</i>	1
2	SP1177550	Medley Ergo bevestigings set <i>Includes items 4, 5, and 6.</i>	1
3	SP1177402	(Motor Cable 750mm)	1

(230 Volt Control Box / Actuator Head)



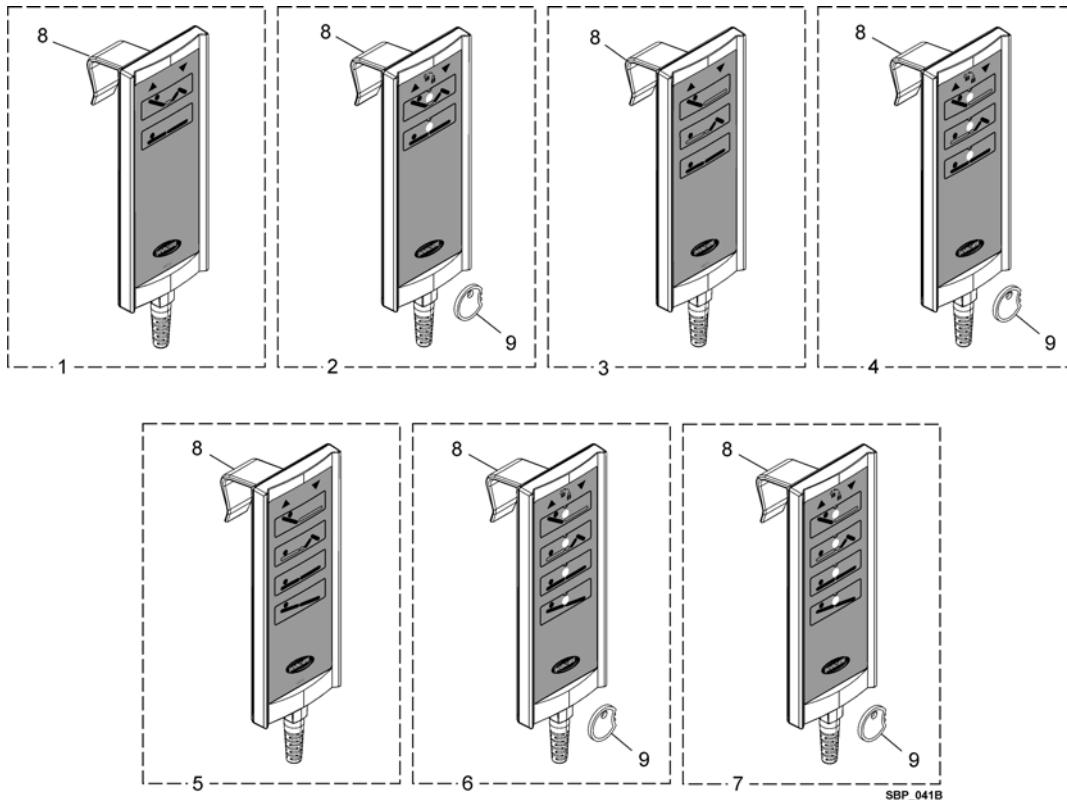
1	SP1557968	Medley Ergo rugmotor ps <i>Includes items 2 and 3</i>	1
2	SP1177550	Medley Ergo bevestigings set <i>Includes Spring Pin, Pin, and Retaining Pin</i>	1
3	SP1177403	Medley Ergo kabel motor hoofdeinde	1
4	SP1177431	Medley Ergo combibox 230v set	1
5	SP1417517	Alegio NG netsnoer 4,35m ps	1
5	SP1539737	(UK Mains Cord)	1
5	SP1518060	(CH Mains Cord)	1
5	SP1539738-7035	(AUS Main Cord)	1
6	SP1177242-7035	(Control Box Retaining Clip)	1
7	SP1177389-7035	(Control Box Cable Lock Clip)	1

(24 Volt Control Box / Actuator Head)



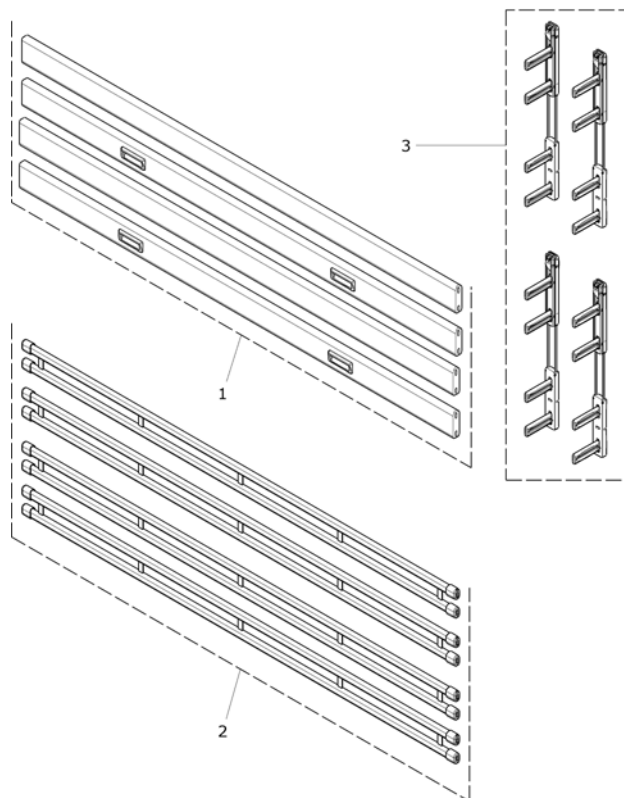
1	SP1177552	Medley Ergo vervangingskit controlbox <i>Includes items 2,3,4 and 5. Includes Transformer, Transformer Lock, and Controller Assembly.</i>	1
2	SP1177432	(CB3 Control Unit Kit 24V)	1
3	SP1177551	(Wall Transformer w/cord & lock)	1
6	SP1557968	Medley Ergo rugmotor ps	1
7	SP1177550	Medley Ergo bevestigings set <i>Includes Straight Pin, Spring Pin, and Retaining Pin.</i>	1
8	SP1177403	Medley Ergo kabel motor hoofdeinde	1

(Hand Controls)

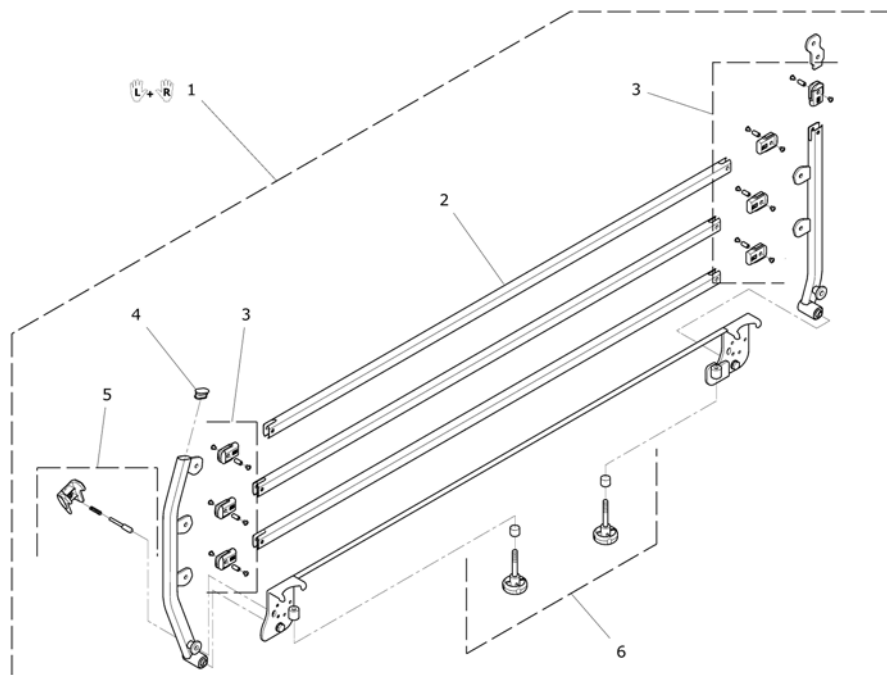


1	SP1177361	(HB72 Hand Control p/n 1177361)	1
2	SP1177362	(HL72 Hand Control p/n 1177362)	1
3	SP1177363	SB handbediening 3 functies Alegio/Medley	1
4	SP1177364	SB handbed.vergrendelb.3 functies Alegio/Medley	1
5	SP1177365	Medley Ergo handbedienin g met tilt HB74	1
6	SP1177366	Medley Ergo handbedienin g vergr.met tilt HL74	1
7	SP1190921	(HL74 Hand Control Anti TILT p/n 1190921)	1
8	SP819487	(Hand Control Suspension)	1
9	SP1177553	Medley Ergo sleutelset voor vergrendelbare handbediening	1

(Side rails)

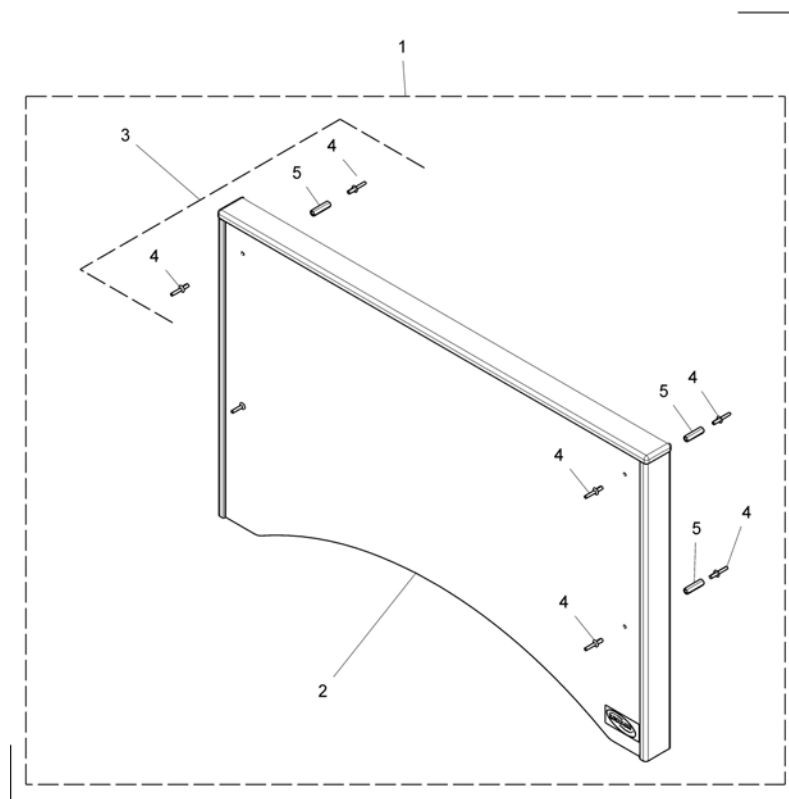


1	1560435-0101	Medley Ergo zijhekken hout 2 lats Bella		1
1	1560446-0101	Medley Ergo zijhekken hout 2 lats verl.15cm		1
2	1560076-0152	Medley Ergo zijhekken staal 2x2 lats Aria <i>Includes Cap and Side Rail</i>	→ 31.03.2017	1
2	1560076-7042	Medley Ergo zijhekken staal 2x2 lats Aria <i>Includes Cap and Side Rail</i>	03.04.2017 →	1
3	SP1177461	Medley Ergo geleiders tbv.1 zijhek		2



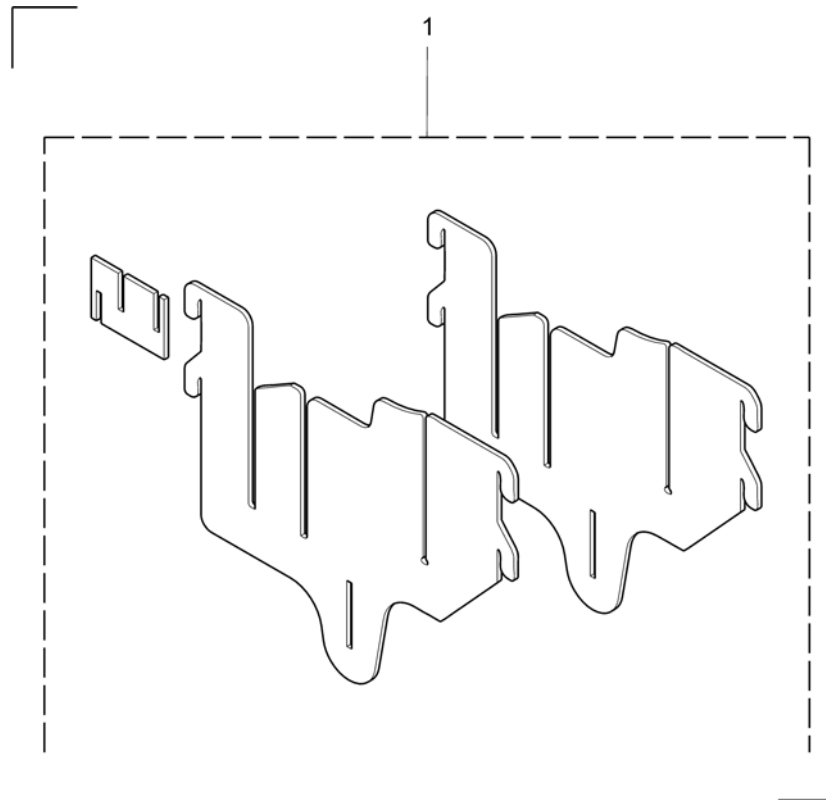
1	1554518-0152	Medley zijhek Verso II staal/zilver/inklapbaar <i>Includes Items 2 - 6</i>	→ 31.03.2017	1
1	1554518-7042	AlegioNG zijhekken staal Verso II <i>Includes Items 2 - 6</i>	03.04.2017 →	1
2	SP1553321-0152	(Oval bar Medley)	→ 31.03.2017	1
2	SP1553321-7042	(Oval Bar Verso II - RAL7042)	03.04.2017 →	1
3	SP1553663	(Kit articulations for one side rail)		1
4	SP1554056-7035	(Oval Plastic cap 36x18x1,5)		1
5	SP1553664	(Locking system side rail Button + axle + spring) <i>Includes Button, Axle, and Spring.</i>		1
6	SP1553662	(Kit plastic handles and plastic stop) <i>Includes Handles and Stops.</i>		1

(Bed End Cover - Medley Select)



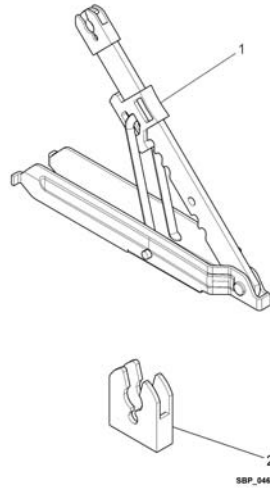
1	SP1177230	(Bed End Cover) <i>Includes items 2, 4, and 5 and Installation Instructions which are not shown in the illustration.</i>	1
3	SP1177554	Medley Ergo Select kap bevestigingsset <i>Includes Spacer and Screws.</i>	1

(Transport Brackets)

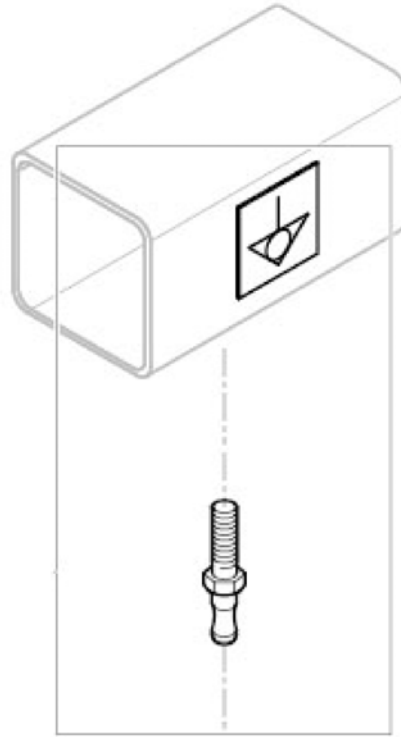


1	1560399-0152	Medley Ergo transportset gelakt	→ 31.03.2017	1
1	1560399-7042	Medley Ergo transportset gelakt	03.04.2017 →	1

(Rastofix)



1	SP1177259	Medley Ergo rastofix	1
2	SP1191937	Medley Ergo rastofix dop ps <i>Includes 10 Clips</i>	1



1 SP1531201

(Equipotentiality plug + sticker + notice)

1



Yes, you can.®



Belgium & Luxemburg:

Invacare nv, Autobaan 22, B-8210 Loppem
Tel: (32) (0)50 83 10 10, Fax: (32) (0)50 83 10 11
belgium@invacare.com / www.invacare.be

Denmark:

Invacare A/S, Sdr. Ringvej 37, DK-2605 Brøndby
Tel: (45) (0)36 90 00 00, Fax: (45) (0)36 90 00 01
denmark@invacare.com / www.invacare.dk

Deutschland:

Invacare Aquatec GmbH, Alemannenstraße 10, D-88316 Isny
Tel: (49) (0)75 62 7 00 0, Fax: (49) (0)75 62 7 00 66
info@invacare-aquatec.com / www.invacare-aquatec.de

European Distributor Organisation:

Invacare, Kleiststraße 49, D-32457 Porta Westfalica
Tel: (49) (0)57 31 754 540, Fax: (49) (0)57 31 754 541
edo@invacare.com / www.invacare.eu.com

España:

Invacare SA, c/Areny s/n, Polígon Industrial de Celrà, E-17460 Celrà (Girona)
Tel: (34) (0)972 49 32 00, Fax: (34) (0)972 49 32 20
contactsp@invacare.com / www.invacare.es

France:

Invacare Poirier SAS, Route de St Roch, F-37230 Fondettes
Tel: (33) (0)2 47 62 64 66, Fax: (33) (0)2 47 42 12 24
contactfr@invacare.com / www.invacare.fr

Ireland:

Invacare Ireland Ltd, Unit 5 Seatown Business Campus, Seatown Road, Swords, County Dublin - Ireland
Tel: (353) 1 810 7084, Fax: (353) 1 810 7085
ireland@invacare.com / www.invacare.ie

Italia:

Invacare Mecc San s.r.l., Via dei Pini 62, I-36016 Thiene (VI)
Tel: (39) 0445 38 00 59, Fax: (39) 0445 38 00 34
italia@invacare.com / www.invacare.it

Nederland:

Invacare BV, Celsiusstraat 46, NL-6716 BZ Ede
Tel: (31) (0)318 695 757, Fax: (31) (0)318 695 758
nederland@invacare.com, csede@invacare.com / www.invacare.nl

Norge:

Invacare AS, Grensesvingen 9, Postboks 6230, Etterstad, N-0603 Oslo
Tel: (47) (0)22 57 95 00, Fax: (47) (0)22 57 95 01
norway@invacare.com, island@invacare.com / www.invacare.no

Österreich:

Invacare Austria GmbH, Herzog Odilostrasse 101, A-5310 Mondsee
Tel: (43) 6232 5535 0, Fax: (43) 6232 5535 4
info-austria@invacare.com / www.invacare.at

Portugal:

Invacare Lda, Rua Estrada Velha, 949, P-4465-784 Leça do Balio
Tel: (351) (0)225 1059 46/47, Fax: (351) (0)225 1057 39
portugal@invacare.com / www.invacare.pt

Sverige & Suomi:

Invacare AB, Fagerstagatan 9, S-163 91 Spånga
Tel: (46) (0)8 761 70 90, Fax: (46) (0)8 761 81 08
sweden@invacare.com, finland@invacare.com / www.invacare.se

Switzerland:

Invacare AG, Benkenstrasse 260, CH-4108 Witterswil
Tel: (41) (0)61 487 70 80, Fax: (41) (0)61 487 70 81
switzerland@invacare.com / www.invacare.ch

United Kingdom:

Invacare Limited, Pencoed Technology Park, Pencoed, Bridgend CF35 5AQ
Switchboard Tel: (44) (0)1656 776200, Fax: (44) (0)1656 776201
Customer services Tel: (44) (0)1656 776222, Fax: (44) (0)1656 776220
uk@invacare.com / www.invacare.co.uk