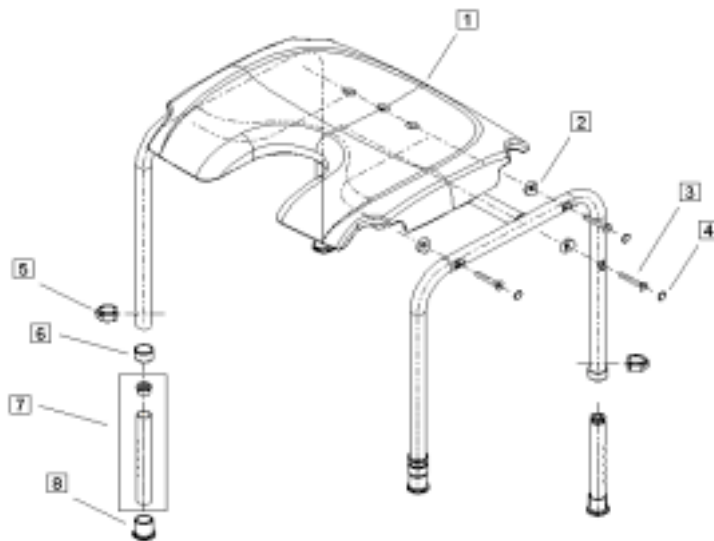


Customer:
 Customer Code:
 Phone:

Contact:
 Commission:

ALIZE stool H2120/1



Pos.	Qty	Part Number	Designation
1	1	1410052	Seat
2	6	1410491	Form Washer
3	6	-	M8 x 50 Screw
4	6	C 1001	Screw cap
5	4	1410505	anti folding clip
6	4	1423382	Plastic Int Tube
7	4	1410068	Adjustable feet
8	4	1410495	Frame Tip

Shower Stool H2120/1



Alize Range

**Edition
 04-02**