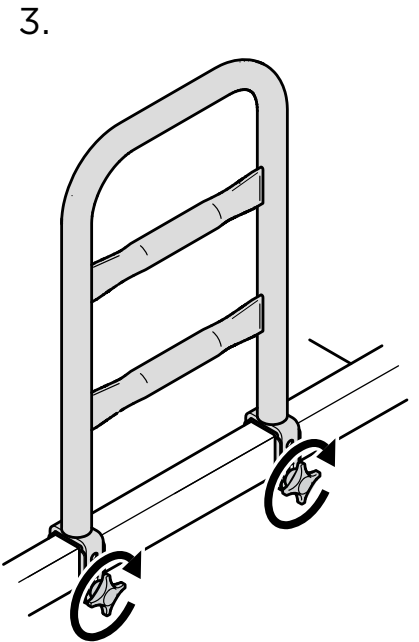
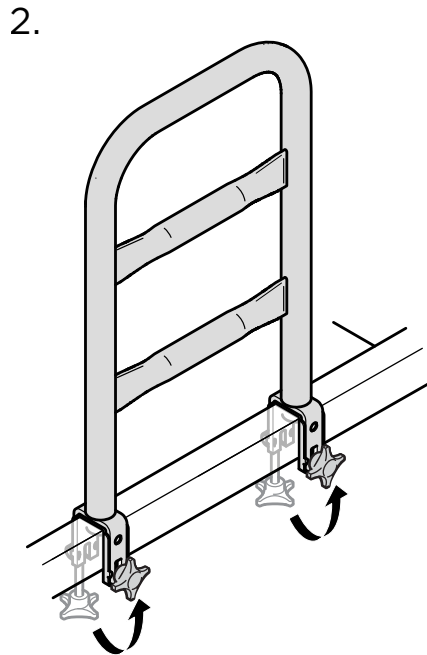
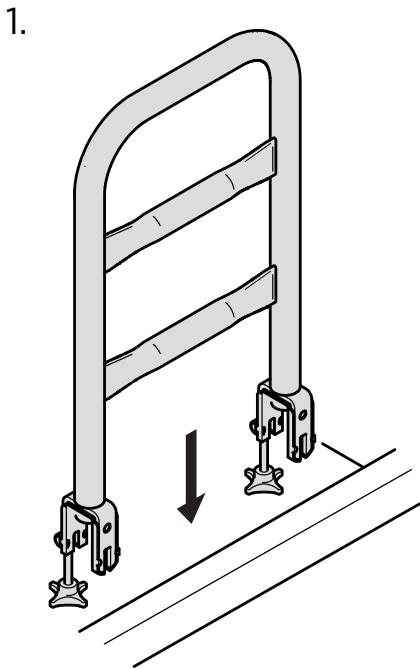


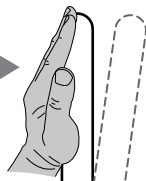
1651907 90 cm 40 cm

1651908 30 cm 40 cm

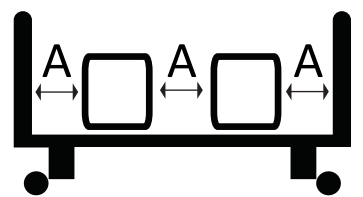
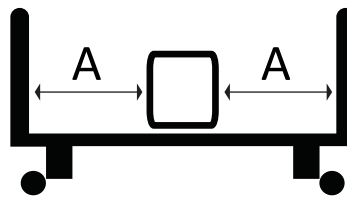
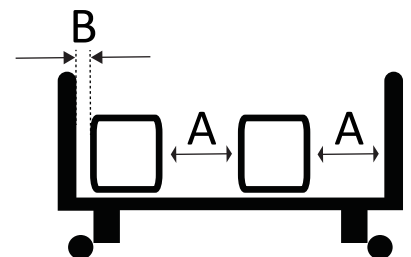
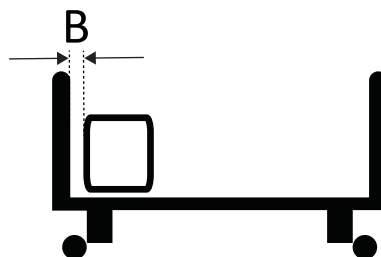
Support Handle for
Invacare® NordBed™ Essential
Invacare® NordBed™ Ultra
Invacare® NordBed™ Optimo
Invacare® NordBed™ Optimo Wide



Max. 60 kg



A = Min. 319 mm | B = Max. 59 mm



Invacare Rea AB
Växjövägen 303
SE-343 71 Diö
Sweden

