

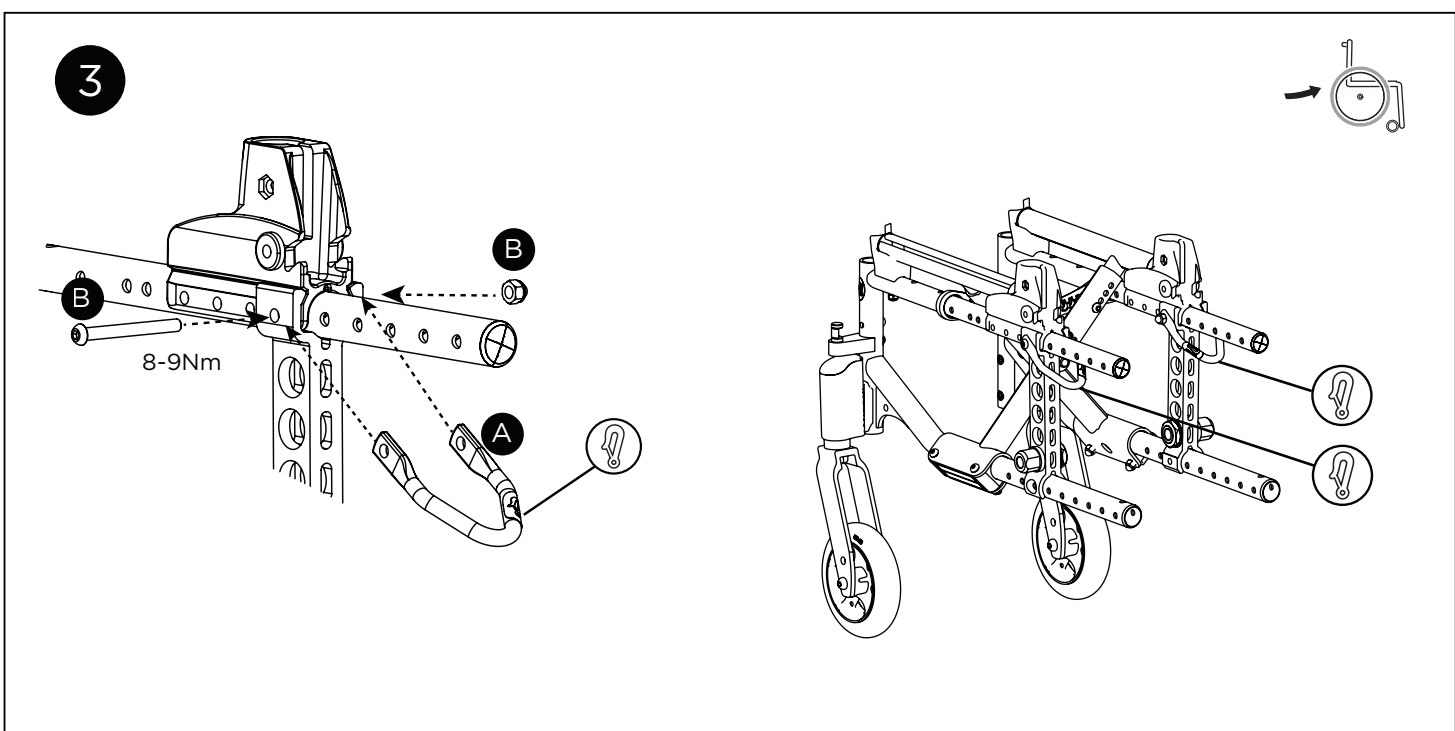
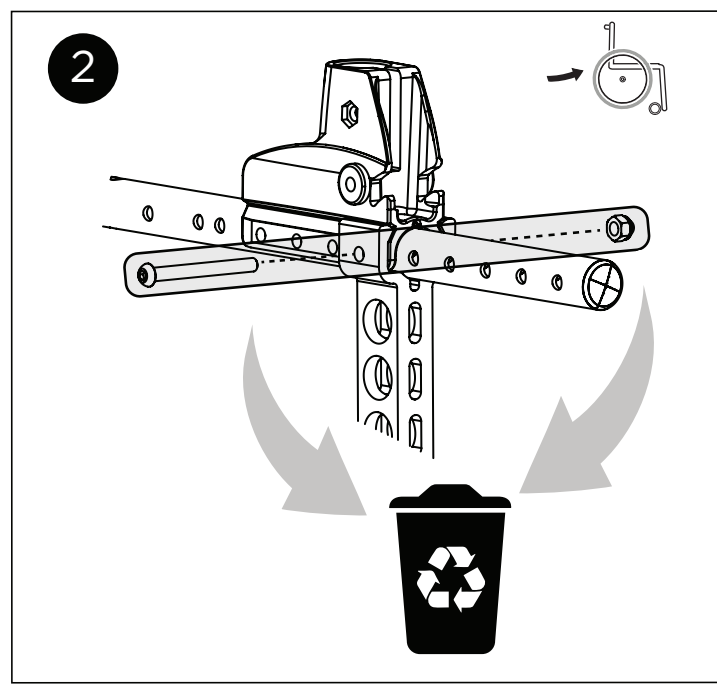
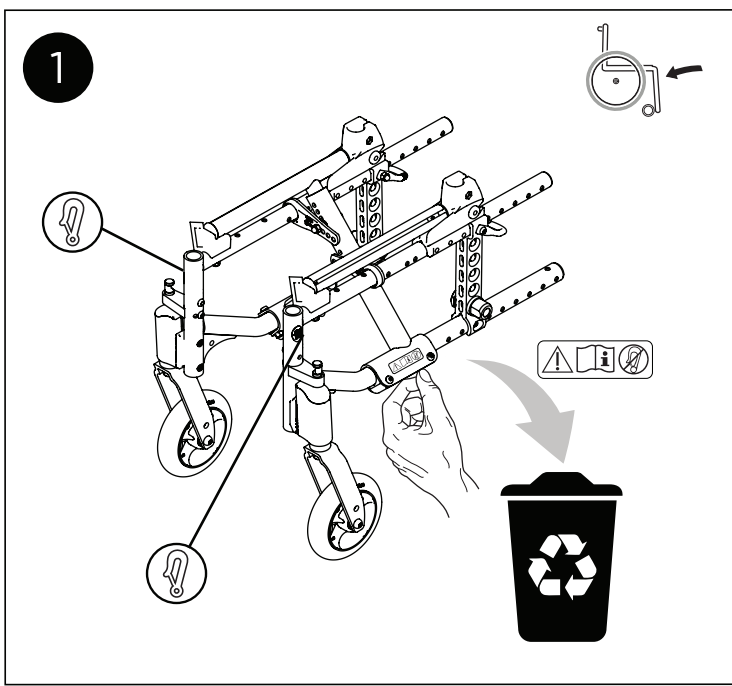
- A 2x
- B 2x
- C 2x
- D 4x

1x



Transportation Kit for the **Action 3 Junior**

- 4 mm 8-9Nm
- 10 mm



Invacare France
Operations SAS
Route de St Roch
37230 Fondettes, France





- A 2x
- B 2x
- C 2x
- D 4x

1x



Transportation Kit for the Action 2 NG and Action 3 NG

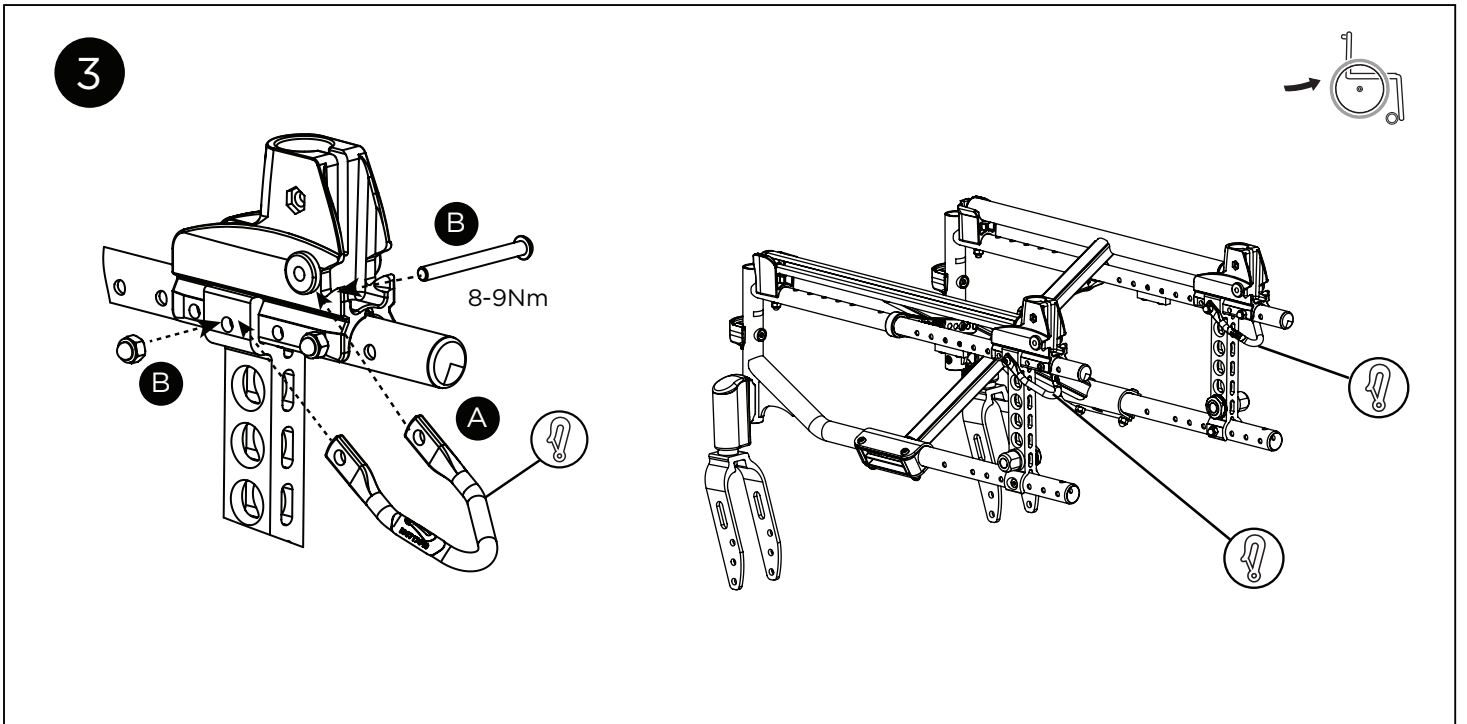
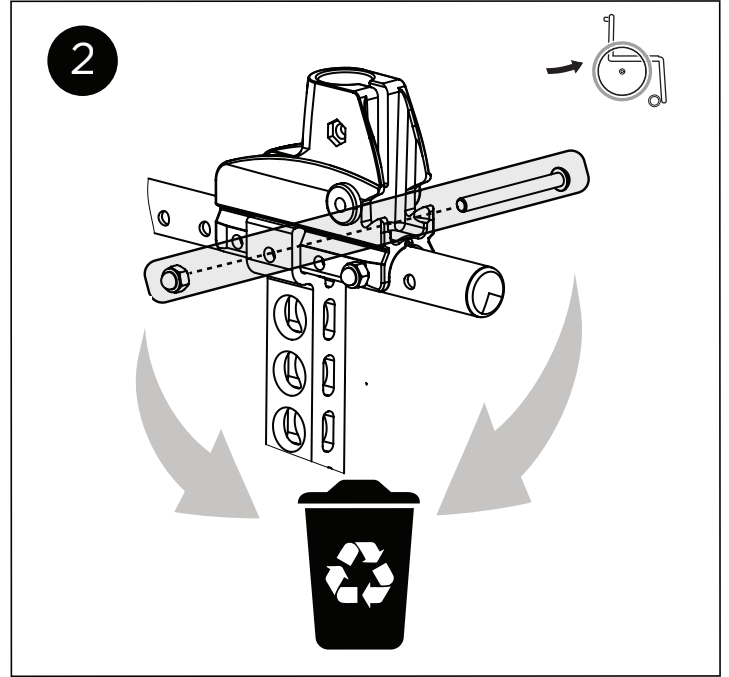
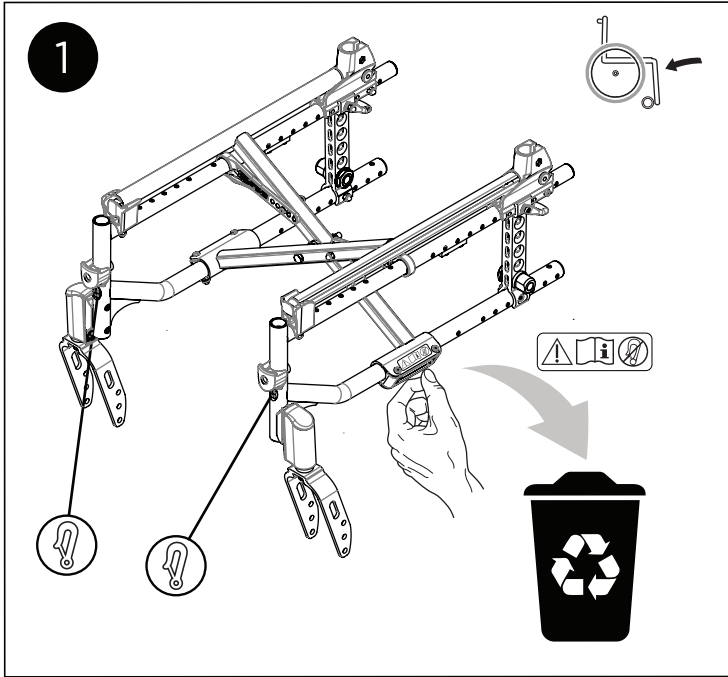


4 mm

8-9Nm



10 mm



Invacare France
Operations SAS
Route de St Roch
37230 Fondettes, France



Yes, you can.



- A 2x
- B 2x
- C 2x
- D 4x

1x

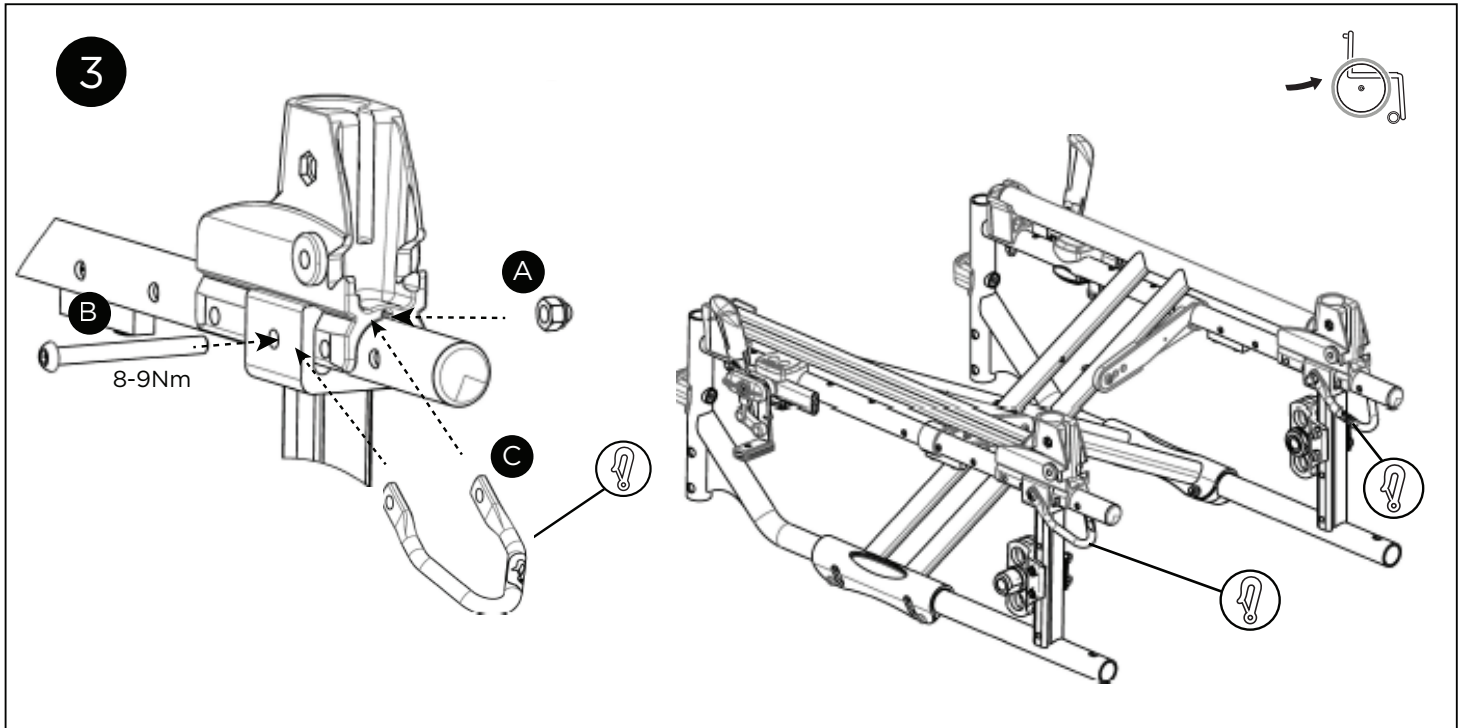
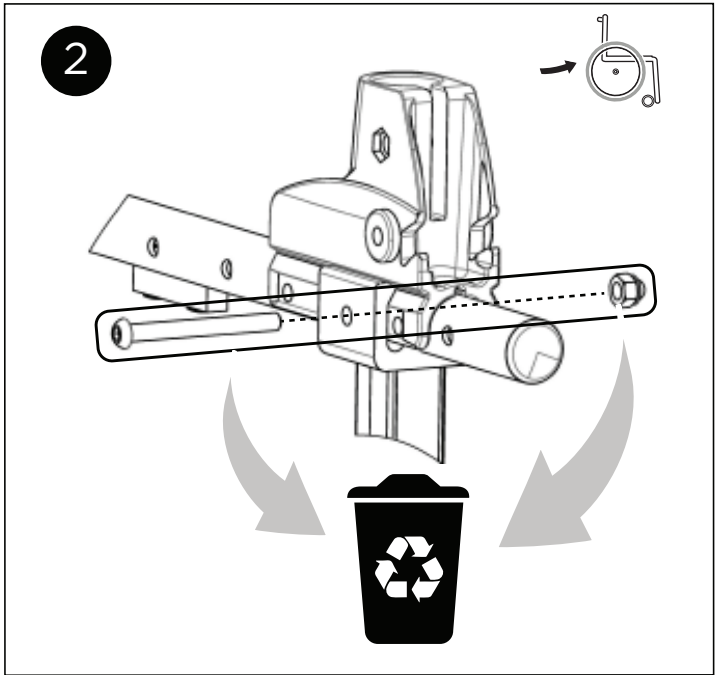
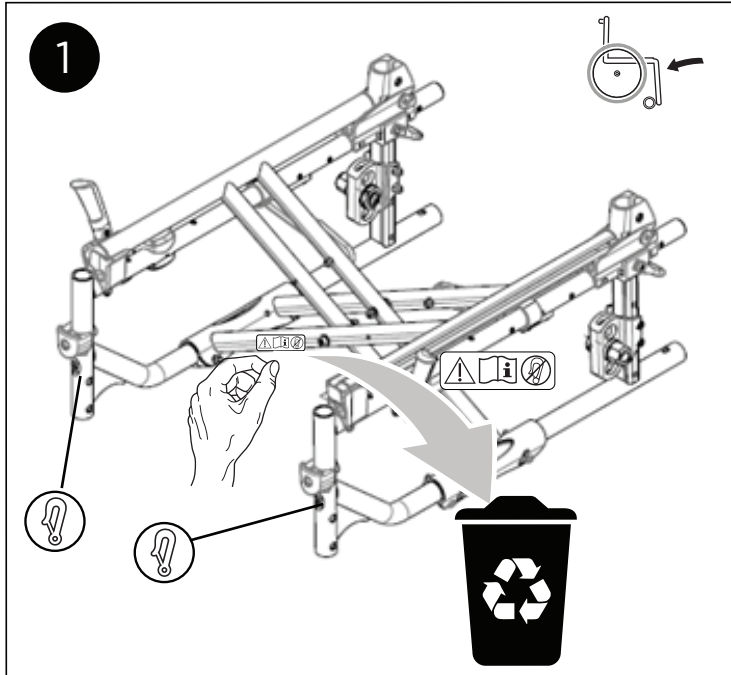


Transportation Kit
for the **Action 4 NG**



- 4 mm
- 10 mm

8-9Nm




Invacare France
Operations SAS
Route de St Roch
37230 Fondettes, France



Yes, you can.

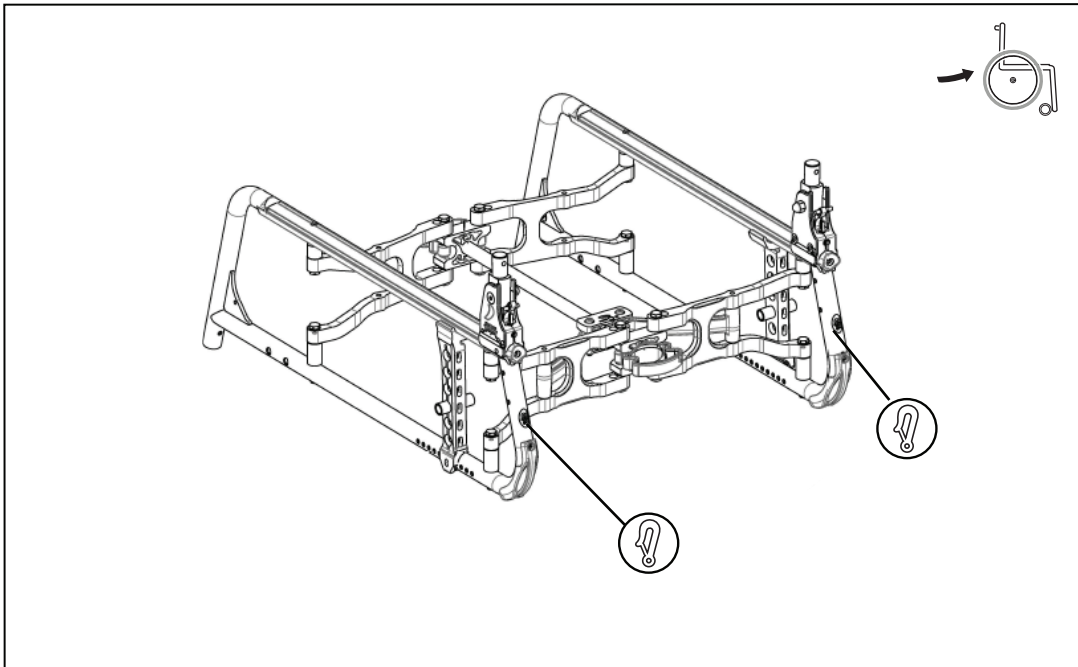
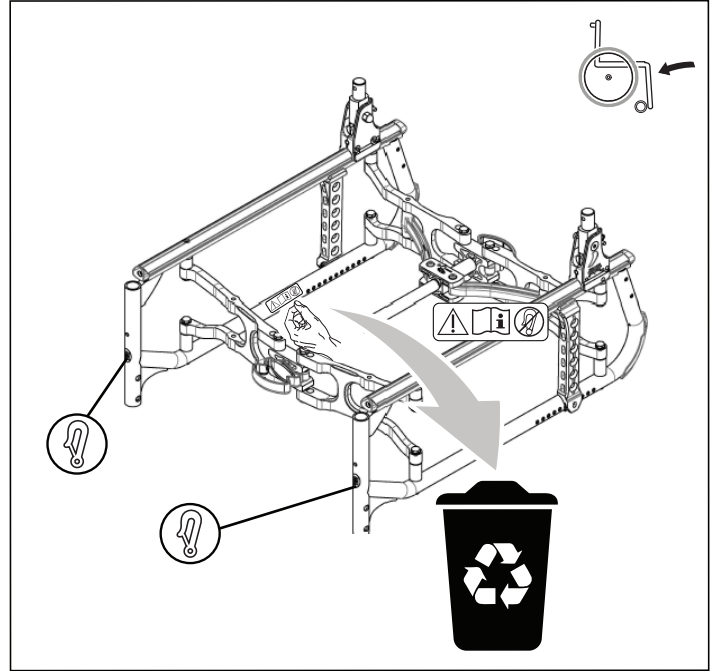
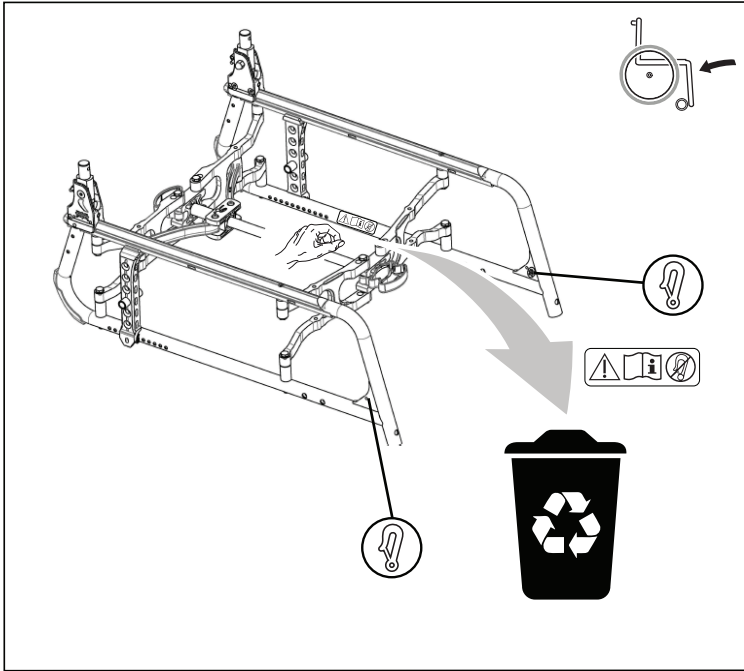


Ⓐ 4x 

1x



Transportation Kit for the **Action 5**



Invacare France
Operations SAS
Route de St Roch
37230 Fondettes, France



Yes, you can.