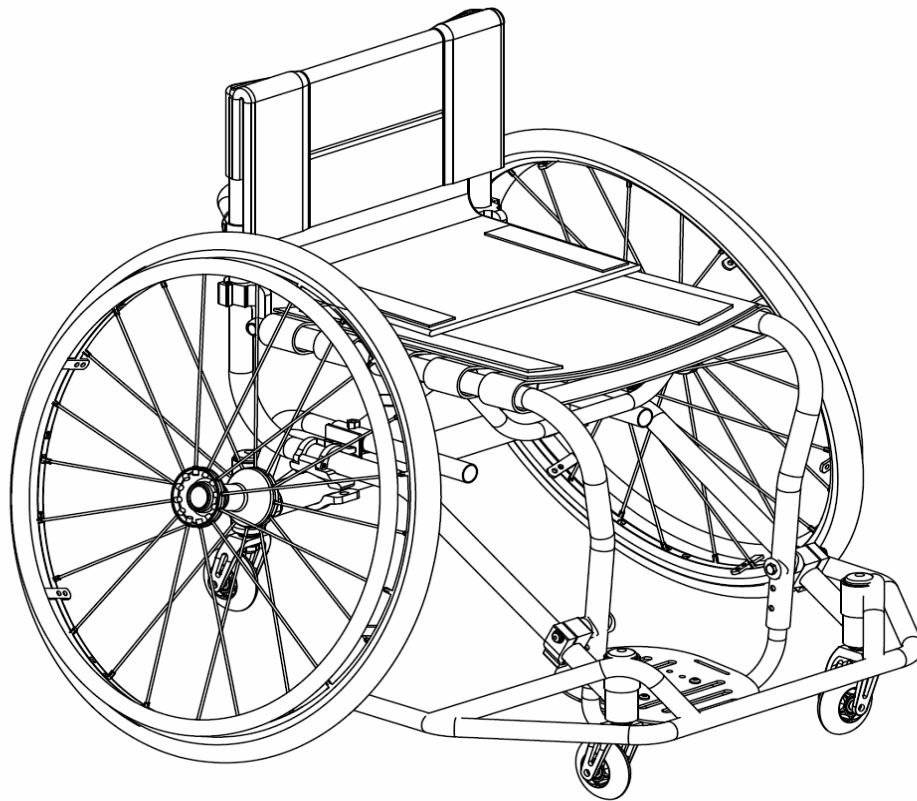




Sports and Recreation Products
4501 63rd Circle North
Pinellas Park, FL 33781
(800) 532-8677 (727) 522-8677
Fax: (727) 522-1007

Invacare Top End Parts Catalog Transformer

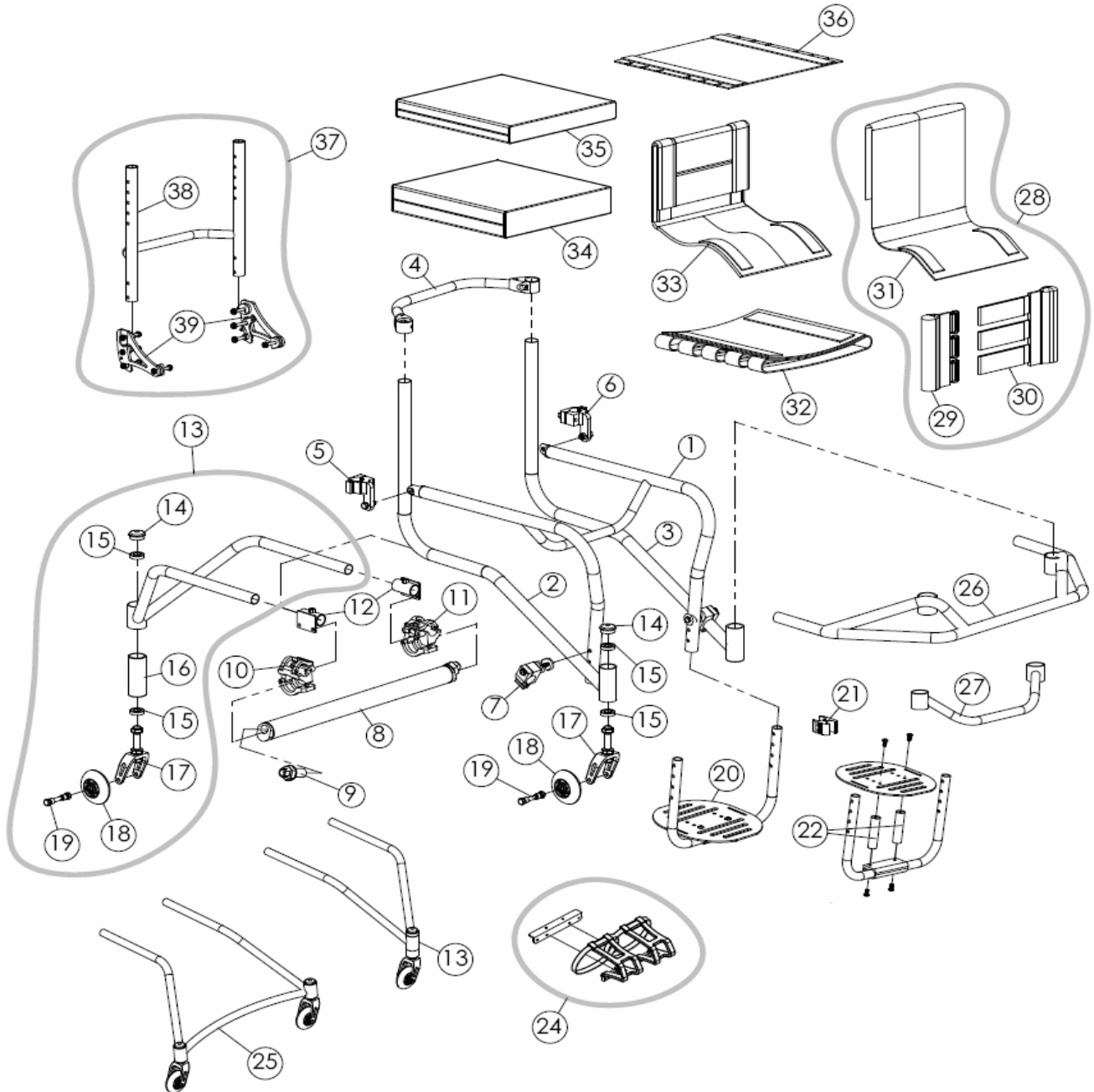




Sports and Recreation Products
 4501 63rd Circle North
 Pinellas Park, FL 33781
 (800) 532-8677 (727) 522-8677
 Fax: (727)522-1007

Parts Order Diagram Transformer

Frame / Parts





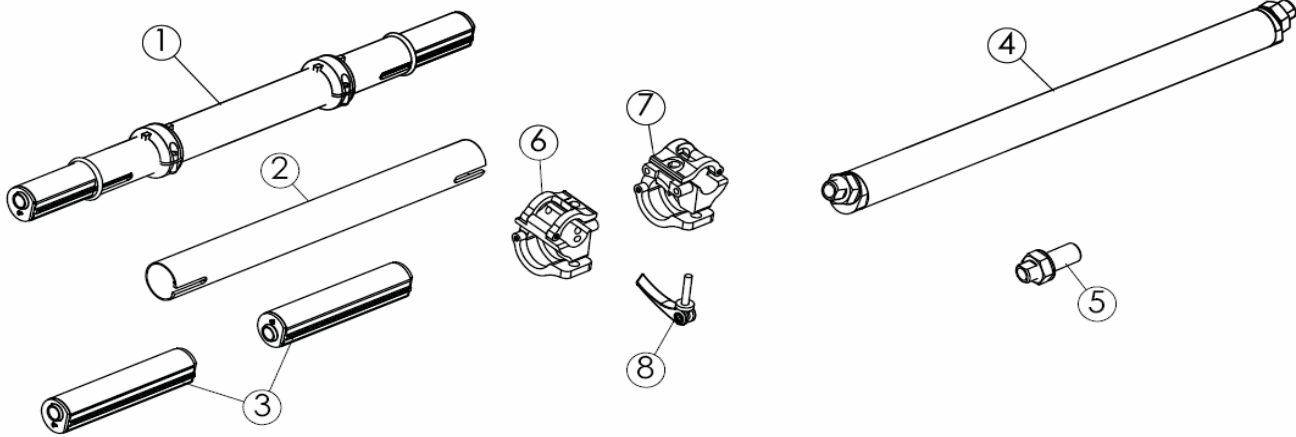
Date:	PO# / Customer#	Ship to <input type="checkbox"/> Customer <input type="checkbox"/> Provider
Provider: _____	Account # _____	Customer: _____
Phone: _____	Fax: _____	Phone: _____
		Top End Sales Order: _____
		Serial #: _____

ITEM	PART NUMBER	PER CHAIR	DESCRIPTION	QTY.
1	1116570	1	Upper Seat Frame, specs required - send new complete chair order form	
2	1116578	1	Lower Frame, right, specs required - send new complete chair order form	
3	1116579	1	Lower Frame, Left, specs required - send new complete chair order form	
4	1060220	1	Backrest Crossmember Asm (specify seat width)	
5	1116573	1	Clamp Asm, Rear Frame, TRFM Right	
6	1116574	1	Clamp Asm, Rear Frame, TRFM Left	
7	1116575	2	Clamp Asm, Front Frame, TRFM	
8	1054208	1	Camber Tube w/ Single Camber (see page 4 for Camber Tube specs)	
9	1145947	2	Axle Receiver, Lock Washer, Washer, Nut Assembly (Sport)	
10	1112017	1	Clamp Asm, Camber Tube, Right	
11	1112018	1	Clamp Asm, Camber Tube, Left	
12	1139774	1	Anti-Tip Bracket Kit (includes 2 brackets, 4 screws)	
13	1068703	1	Anti-Tip, Single Swivel (specify rear wheel size, camber, seat width)	
14	1116007	3	Cap, Head Tube	
15	1054030	6	Bearing, Headtube, 1-1/8"OD, 1/2"ID, 5/16"Thick	
16	1060917	1	Adjustable Height Head Tube, Anti-Tip	
17	1054254	3	3" Fork Assembly (includes fork, stem, and locknuts)	
18	1065288	3	3" Caster w/ Composite Hub (Bearings included)	
	1127881	3	3" Lighted Caster w/ Composite Hub (Bearings included)	
19	1061195	3	Caster Mounting Hardware Kit	
20	1145905	1	Adjustable Angle One Piece Footplate (specify footrest width)	
21	1116531	2	Clamp, Raised Footrest, 1" to 3/4"	
22	1116577	1	Adaptive Footplate Spacer Kit (spacers & screws), (circle one) 2" 4" 6"	
24	1145927	1	Toe Clip Kit (pair)	
25	1060653	1	Double Anti-tip Assembly (specify rear wheel size, camber, seat width)	
26	1116571	1	Full Wing (specify seat width, seat depth, camber)	
27	1116572	1	Bumper (specify seat width)	
28	1145891	1	Adjustable Back Upholstery (specify back height, seat width)	
29	1127961	1	RH Back (Adjustor) (specify back height, seat width)	
30	1127962	1	LH Back (Anchor) (specify back height, seat width)	
31	1127960	1	Back Center (specify back height, seat width)	
32	1127963	1	Seat Upholstery, Adjustable Tension (specify seat width, seat depth)	
33	1065286	1	Fold Over Back Upholstery (specify back height, seat width)	
34	1054272	1	Soft Cushion (circle one) 2" 3" 4" , also specify seat width, seat depth	
35	1060130	1	Hard Cushion (circle one) 2" 3" 4" , also specify seat width, seat depth	
36	1054280	1	Screw-on Seat Upholstery	
37	1054126	1	Complete Folding Back Assembly (specify seat width and back height)	
38	1145919	1	Folding Back, Frame Only (specify seat width and back height)	
39	1065305	1	Folding Back Latch Kit (includes both RH & LH)	

Seat Width: _____ Seat Depth: _____ Back Height: _____ Wheel Size: _____ Camber: _____ Footrest Width: _____



Date:	PO# / Customer#	Ship to <input type="checkbox"/> Customer <input type="checkbox"/> Provider	
Provider: _____	Account # _____	Customer: _____	Top End Sales Order: _____
Phone: _____	Fax: _____	Phone: _____	Serial #: _____

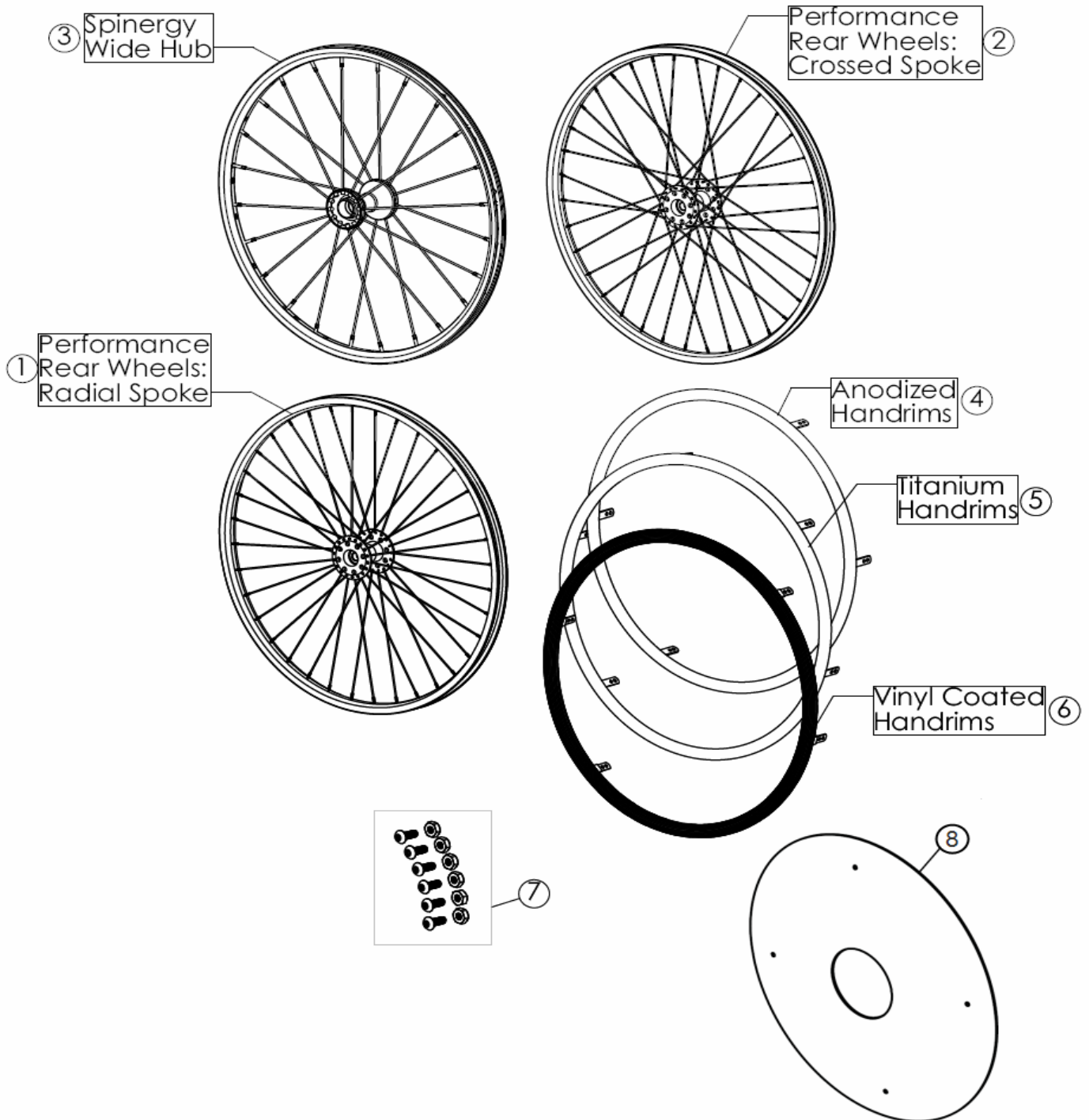


For Items 1,2,4 and 5 Specify: **Seat Width** _____ **Wheel Size** _____

ITEM NO.	PART NO.	DESCRIPTION	PRIMARY ANGLE	SECONDARY ANGLE	ORDER QTY.
1	1068751	Adjustable Camber System	<input type="checkbox"/> 0 <input type="checkbox"/> 3 <input type="checkbox"/> 6 <input type="checkbox"/> 9 <input type="checkbox"/> 12	<input type="checkbox"/> 0 <input type="checkbox"/> 3 <input type="checkbox"/> 6 <input type="checkbox"/> 9 <input type="checkbox"/> 12	
2	1060897	Axle Tube, Camber System	<input type="checkbox"/> 0 <input type="checkbox"/> 3 <input type="checkbox"/> 6 <input type="checkbox"/> 9 <input type="checkbox"/> 12	<input type="checkbox"/> 0 <input type="checkbox"/> 3 <input type="checkbox"/> 6 <input type="checkbox"/> 9 <input type="checkbox"/> 12	
3	1068752	Inserts Only - 2 angles (1 pair)	<input type="checkbox"/> 0 <input type="checkbox"/> 3 <input type="checkbox"/> 6 <input type="checkbox"/> 9 <input type="checkbox"/> 12	<input type="checkbox"/> 0 <input type="checkbox"/> 3 <input type="checkbox"/> 6 <input type="checkbox"/> 9 <input type="checkbox"/> 12	
4	1054208	Camber Tube w/ Single Camber	<input type="checkbox"/> 0 <input type="checkbox"/> 3 <input type="checkbox"/> 6 <input type="checkbox"/> 9 <input type="checkbox"/> 12 <input type="checkbox"/> 15 <input type="checkbox"/> 18 <input type="checkbox"/> 20	XXXXX	
5	1145947	Axle Receiver, Lock Washer, Washer Nut Asm	XXXXX	XXXXX	
6	1112017	Axle Tube Clamp RH	XXXXX	XXXXX	
7	1112018	Axle Tube Clamp LH	XXXXX	XXXXX	
8	1111939	Quick Release Lever for Axle Tube Clamps	XXXXX	XXXXX	



Date:	PO# / Customer#	Ship to <input type="checkbox"/> Customer <input type="checkbox"/> Provider	
Provider: _____	Account # _____	Customer: _____	Top End Sales Order: _____
Phone: _____	Fax: _____	Phone: _____	Serial #: _____



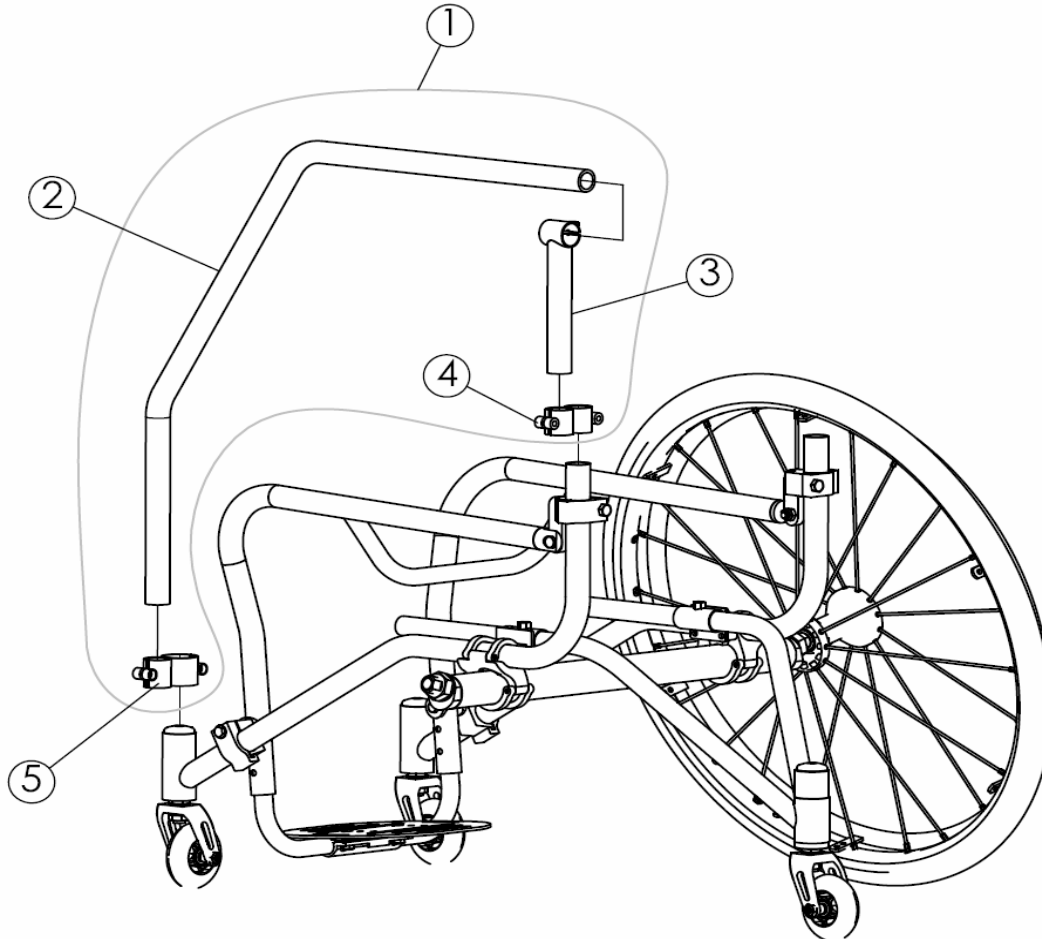


Date:	PO# / Customer#	Ship to <input type="checkbox"/> Customer <input type="checkbox"/> Provider
Provider: _____	Account # _____	Customer: _____
Phone: _____	Fax: _____	Phone: _____
		Top End Sales Order: _____
		Serial #: _____

ITEM	PART NUMBER	PER CHAIR	DESCRIPTION	QTY.
WHEELS				
1	1054053	2	22" (501) Performance Rear Wheel: Radial	
1	1054054	2	24" (540) Performance Rear Wheel: Radial	
2	1060134	2	24" (540) Performance Rear Wheel: Crossed	
3	1060202	2	24" (540) Spinergy Sport Wide Hub (Yellow or Black)	
1	1054055	2	25" (559) Performance Rear Wheel: Radial	
2	1060135	2	25" (559) Performance Rear Wheel: Crossed	
3	1060892	2	25" (559) Spinergy Sport Wide Hub(Yellow or Black)	
1	1054056	2	26" (590) Performance Rear Wheel: Radial	
2	1060136	2	26" (590) Performance Rear Wheel: Crossed	
3	1059424	2	26" (590) Spinergy Sport Wide Hub (Yellow or Black)	
1	1139780	2	27" (700c) Performance Rear Wheel: Indicate Radial or Crossed Spokes	
3	1116517	2	27" (700c) Spinergy Sport Wide Hub (Yellow or Black)	
	1054030	4	Bearing, Rear Wheel 1-1/8" OD, 1/2" ID, 5/16" Width	
HANDRIMS				
4	1054082	2	22" Anodized Handrim	
6	1063567	2	22" Vinyl Coated Handrim - Black	
4	1054083	2	24" Anodized Handrim	
6	1054084	2	24" Vinyl Coated Handrim - Black	
5	1060873	2	24" Titanium Handrim	
4	1054085	2	25" Anodized Handrim	
6	1054086	2	25" Vinyl Coated Handrim - Black	
5	1060874	2	25" Titanium Handrim	
4	1054087	2	26" Anodized Handrim	
6	1054088	2	26" Vinyl Coated Handrim - Black	
5	1060875	2	26" Titanium Handrim	
4	1054089	2	27" (700c) Anodized Handrim	
7	1145898	2	Handrim Hardware Kit (6) 10-32 x 1/2" Screws, (6) 10-32 Locknuts	
TIRES AND TUBES				
	1054070	2	22" (501) Primo V Track High Pressure Clincher Tire	
	1061214	2	22" (501) Tube (Presta Valve)	
	1054064	2	24" (540) Primo V Track High Pressure Clincher tire	
	1127915	2	24" (540) Kenda Sport Tire, Clincher, Red	
	1127918	2	24" (540) Kenda Sport Tire, Clincher, Yellow	
	1060154	2	24" (540) Tube (Presta Valve)	
	1054067	2	25" (559) Primo V Track High Pressure Clincher tire	
	1127916	2	25" (559) Kenda Sport Tire, Clincher, Red	
	1127919	2	25" (559) Kenda Sport Tire, Clincher, Yellow	
	1060155	2	25" (559) Tube (Presta Valve)	
	1054066	2	26" (25-590) Primo High Pressure Clincher Tire	
	1127917	2	26" (590) Kenda Sport Tire, Clincher, Red	
	1127920	2	26" (590) Kenda Sport Tire, Clincher, Yellow	
	1054074	2	26" (590) Tube (Presta Valve)	
	1060115	2	27" (700c) Primo High Pressure Clincher Tire	
	1054075	2	27" (700c) Tube (Presta Valve)	
	1061213	2	Rim Strip (circle one) 22", 24", 25", 26", and 700C	
OTHER				
8	1054079	2	24" Spoke Guards, specify clear or black and wheel size	
	1060699	2	25" Spoke Guards, specify clear or black and wheel size	
	1054081	2	26" Spoke Guards, specify clear or black and wheel size	



Date:	PO# / Customer#	Ship to <input type="checkbox"/> Customer <input type="checkbox"/> Provider	
Provider: _____	Account # _____	Customer: _____	Top End Sales Order: _____
Phone: _____	Fax: _____	Phone: _____	Serial #: _____

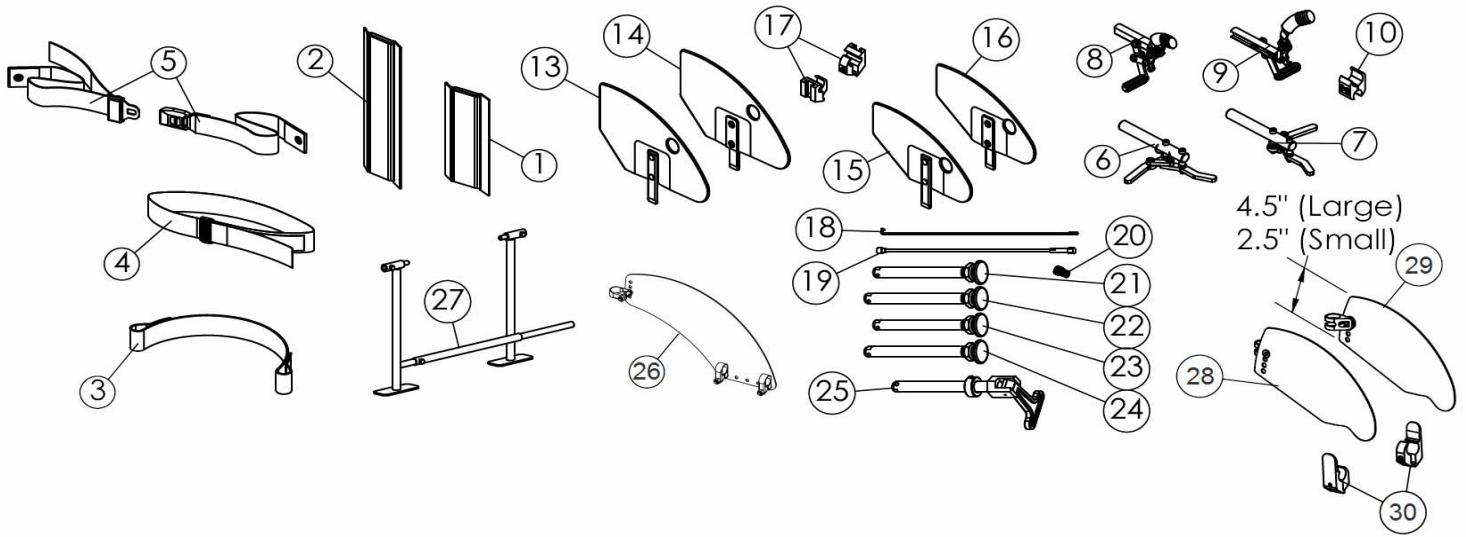


Note: The Attachable Fencing Assembly can be attached on right or left side of a Top End Transformer (shown here on the left side)

ITEM NO.	PART NO.	QTY. PER CHAIR	DESCRIPTION	ORDER QTY.
1	1145953	1	Attachable Fencing Arm Assembly (Complete)	
2	1145943	1	Arm Support	
3	1145944	1	Vertical Adjustment Clamp	
4	1145945	1	Upper Frame Clamp	
5	1145946	1	Lower Frame Clamp	



Date: _____ PO# / Customer# _____		Ship to <input type="checkbox"/> Customer <input type="checkbox"/> Provider	
Provider: _____ Account # _____		Customer: _____	Top End Sales Order: _____
Phone: _____ Fax: _____		Phone: _____	Serial #: _____



ITEM	PART NUMBER	PER CHAIR	DESCRIPTION	QTY.
1	1143295	1	Rear Back Bar Frame Protector (each)	
2	1145900	1	Front Frame Vertical Protectors (pair)	
3	1054268	1	Leg / Calf Strap, for Foot Widths: <input type="checkbox"/> 8 - 10" (36") <input type="checkbox"/> 10 1/2" - 13" (41") <input type="checkbox"/> 13 1/2"+ (46")	
4	1109772	1	Positioning strap, Velcro hook & loop style	
5	1004310	1	Seat Positioning Strap, Auto Style Buckle	
6	1093377	1	Hideaway Undermount Wheellock	
7	1093376	1	Hideaway Undermount Wheellock	
8	1125459	1	Wheel Lock, Push/Pull to Lock Assembly, Right	
9	1125460	1	Wheel Lock, Push/Pull to Lock Assembly, Left	
10	1116531	2	Clamp Assembly, Wheel Lock	
13	1036405	1	Removable Side Guard, Large, Right	
14	1036406	1	Removable Side Guard, Large, Left	
15	1136407	1	Removable Side Guard, Small, Right	
16	1036408	1	Removable Side Guard, Small, Left	
17	1036342	1	Mounting Hardware Kit for Removable Side Guards	
18	1059514		Metal Spoke w/ Nipple (indicate model, crossed/radial, and wheel size)	
19	1060803		Spinergy Spox Spoke (3mm) Wheel Size: <input type="checkbox"/> 24" <input type="checkbox"/> 25" <input type="checkbox"/> 26" <input type="checkbox"/> 700c <input type="checkbox"/> Yellow <input type="checkbox"/> Black <input type="checkbox"/> White <input type="checkbox"/> Red <input type="checkbox"/> Blue <input type="checkbox"/> Wide Hub <input type="checkbox"/> Narrow Hub	
	1156712		Spinergy LX/SLX Spoke (4mm) Wheel Size: <input type="checkbox"/> 24" <input type="checkbox"/> 25" <input type="checkbox"/> 26" <input type="checkbox"/> 700c <input type="checkbox"/> Yellow <input type="checkbox"/> Black <input type="checkbox"/> White <input type="checkbox"/> Red <input type="checkbox"/> Blue <input type="checkbox"/> Wide Hub <input type="checkbox"/> Narrow Hub	
20	1061215		Presta Valve Adaptor	
21	1065303	2	Axle, Quick Release, Standard	
22	1060140	2	Axle, Quick Release, Standard, for Wide Hub	
23	1060842	2	Axle, Quick Release, Titanium	
24	1060843	2	Axle, Quick Release, Titanium, for Wide Hub	
25	1043487	2	Axle, Quad Release, Standard	
26	1153020	2	Clamp-On Side Guard, includes: (1) panel, (3) clamps w/ hardware	
27	1109717		Alignment Gauge	
28	1153016	1	Fold-In Side Guard Panel w/ Pivot Bracket, Right <input type="checkbox"/> Large <input type="checkbox"/> Small	
29	1153017	1	Fold-In Side Guard Panel w/ Pivot Bracket, Left <input type="checkbox"/> Large <input type="checkbox"/> Small	
30	1156696	1	Seat Clamps for Fold-In Side Guards (for use on 1" Frame Tubing)	
	1152963	1	Click Strap Set, 8" Pad Length (Small)	
	1152964	1	Click Strap Set, 10" Pad Length (Medium)	
	1152965	1	Click Strap Set, 12" Pad Length (Large)	