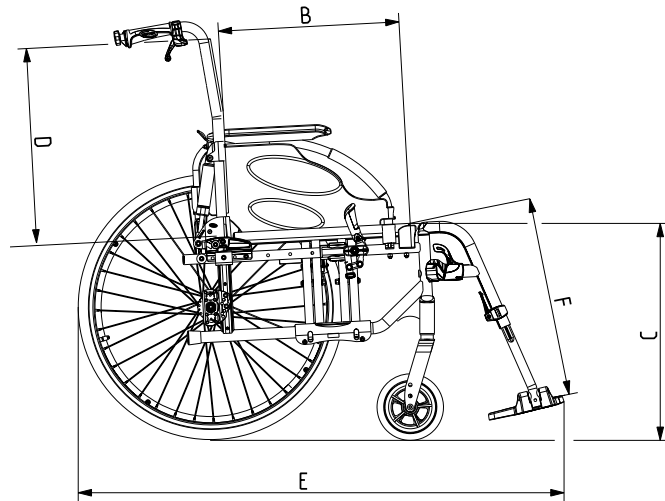
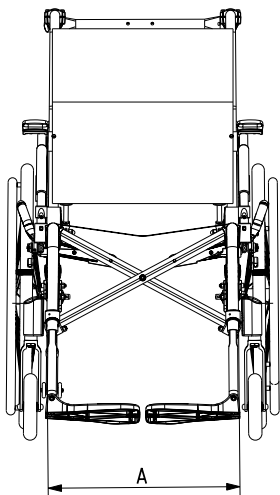


Provider's information

Company	Email		
Customer No.	Consignment		
Address	Date		
Phone			
Model			
Wheelchair usage:	Mainly indoor	Mainly outdoor	Both indoor and outdoor
	Self Propelling	Attendant	Secured in car

Required chair's dimensions

Position	Description	Dimension	Unit	Position	Description	Dimension	Unit
A	Seat width		mm	D	Backrest height		mm
B	Seat depth		deg.	E	Overall length		mm
C	Seat to floor height		mm	F	Seat to footplate height		deg.



Clients information

Name (optional)

Age

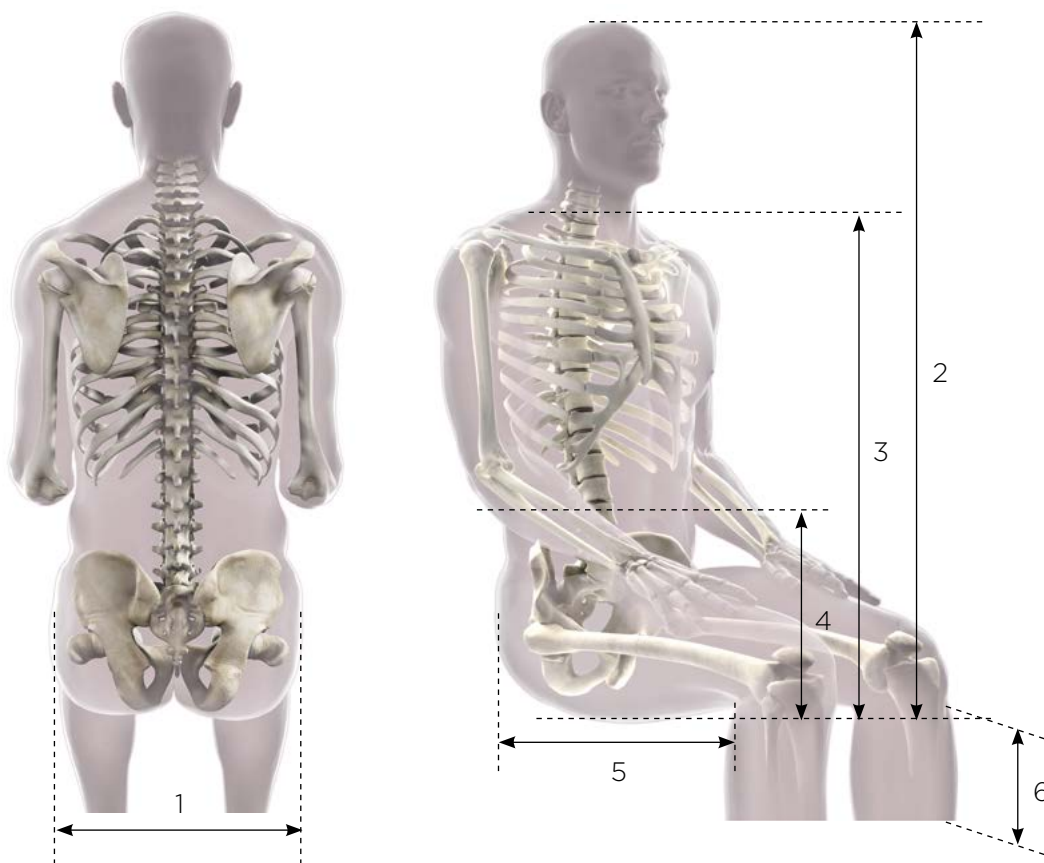
Disability

Trusted Solutions,
Passionate People



Client's data

Description	Dimension	Unit			
Height		cm	1	Hip width	cm
Weight		kg	2	Seat to top of head	cm
Waist		cm	3	Seat to shoulder	cm
Thigh		cm	4	Seat to elbow	cm
Lower leg circumference		cm	5	Knee to back	cm
Leg support angle		deg.	6	Knee to heel	cm



Trusted Solutions,
Passionate People



Additional Information

Annotations

Images / sketches

Trusted Solutions,
Passionate People



