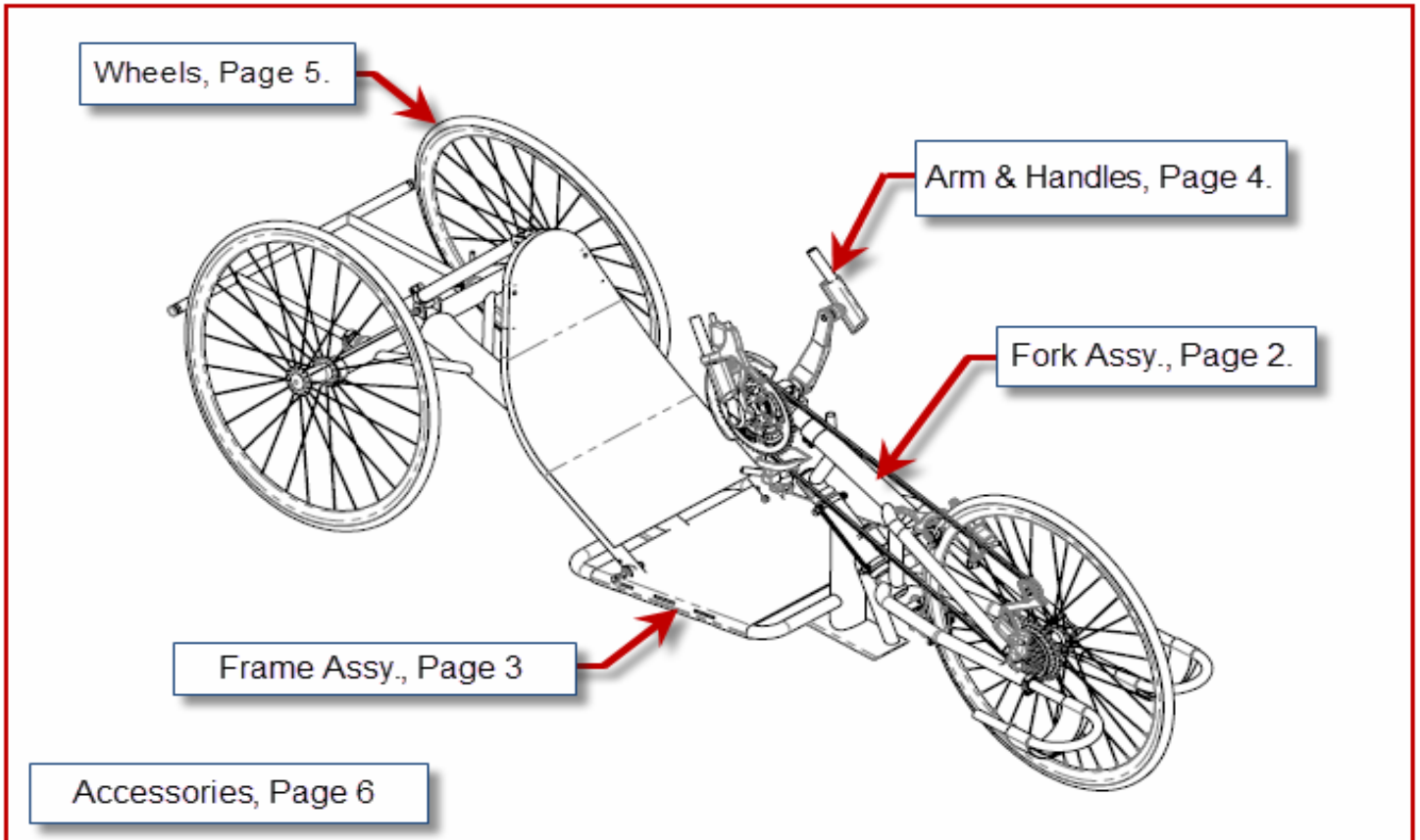




Sports and Recreation Products
4501 63rd Circle North
Pinellas Park, FL 33781
(800) 532-8677 (727) 522-8677
Fax: (727)522-1007

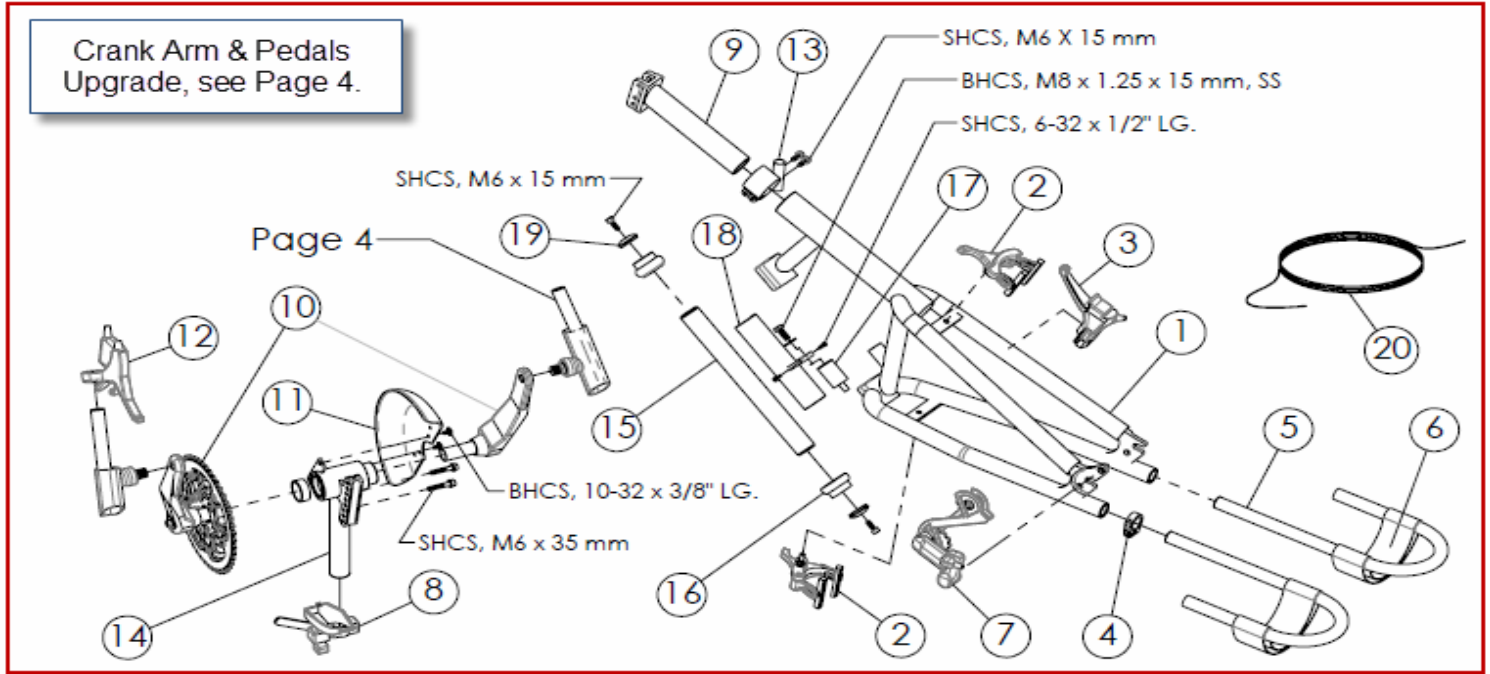
Invacare Top End Parts Catalog Force 2





Force 2, Fork Assembly

Date:	PO# / Customer#	Ship to <input type="checkbox"/> Customer <input type="checkbox"/> Provider	
Provider: _____	Account # _____	Customer: _____	Top End Sales Order: _____
Phone: _____	Fax: _____	Phone: _____	Serial #: _____

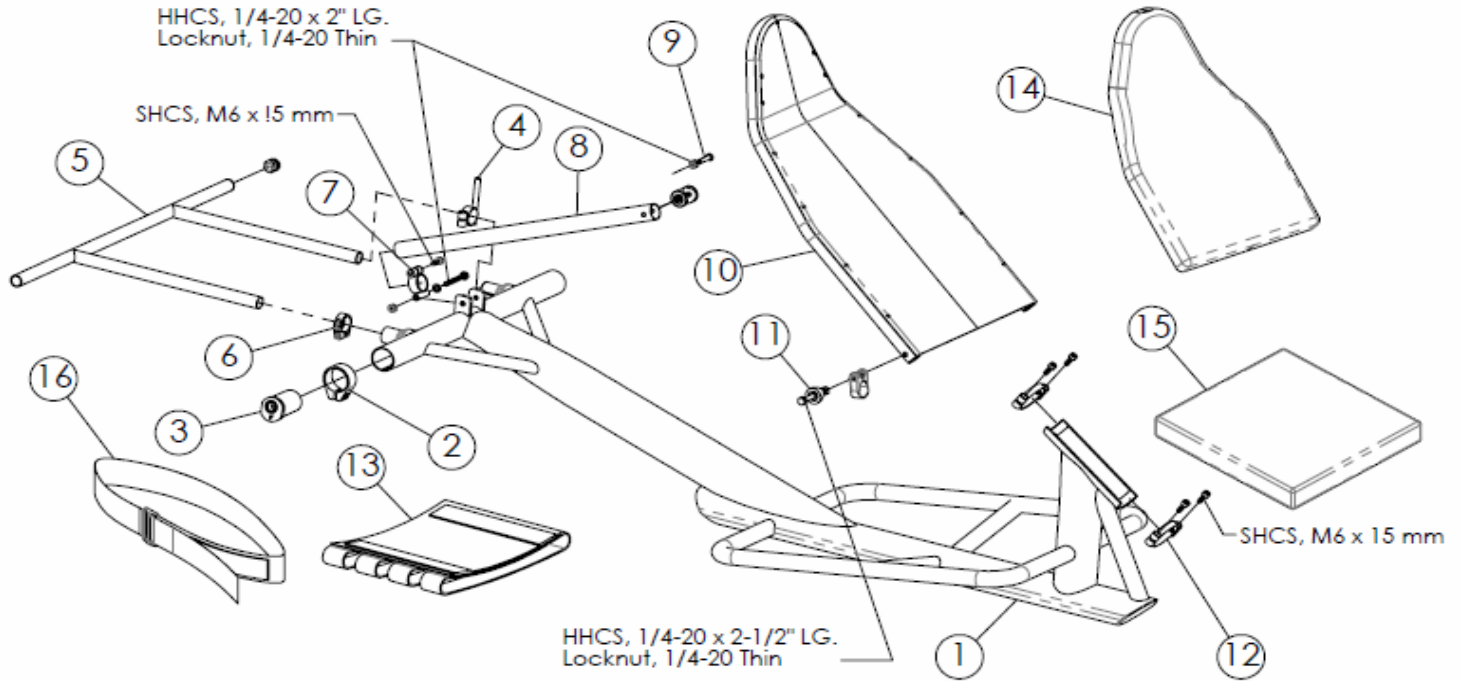


ITEM	PART NUMBER	PER BIKE	DESCRIPTION	QTY.
1	1166391	1	Fork, Force 2 (incl: fork, 4 bolts) -Serial# Required- <input type="checkbox"/> Red <input type="checkbox"/> Blue	EA
2	1127940	2	Brake Caliper for High Performance Tire, 27 Spd, Cane Creek SCR-3	EA
	1166463	2	Replacement Brake Pads for Standard Metal Rim Wheel	PR
	1139823	2	Replacement Brake Pads for Carbon Fiber Rim Wheels	PR
3	1060291	1	Parking Brake Lever	EA
4	1139810	2	Clamp, 1", Single bolt	EA
5	1146012	2	Handcycle Leg Support, (3/4") w/Strap, <input type="checkbox"/> Right <input type="checkbox"/> Left Note: Original-Black, Replacement-Silver	PR
6	1060650	2	XLT Footrest Strap	EA
7	1054246	1	Shimano XT Derailleur (Front Wheel)	EA
8	1139745	1	Manual Derailleur Assembly (incl: derailleur, lever, and hardware)	EA
9	1153228	1	Crank Assembly/Fork connecting Tube	EA
10	1166394	1	Chainring (44-32-24T) and Crank Arm (175mm) Assembly	EA
	1057052	1	Standard Chain, 154 Links, (Ref. to Chainring Assy.)	EA
11	1156773	1	Chainring Guard, Solid	EA
12	1127946	1	RapidFire Shifter/Brake Lever RH, 27 speed	EA
13	1146020	1	1-3/8" Clamp, with Cable Guide	EA
14	1166393	1	Crank Assy., Diagonal Adj. only, (Threaded Bottom Bracket)	EA
15	1166395	1	Headset Shaft Assembly (11" Long) Includes 2 Star Nuts	EA
16	1166475	1	Headset, 1-1/8 Bushing and Bearing	EA
17	1166397	1	Dampner (Include: BHCS, M8 x 1.25 x 16 mm, SS and Set Screw, M8 x 1.25 x 25mm)	EA
18	1166396	1	Removable Headset Cover	EA
19	1145951	2	Cap, with Screw M6 x 15 mm	EA
20	1146014	1	Cable and Housing, for Parking Brake	EA
	1146015	1	Cable and Housing, for Hand Brake	EA
	1146016	1	Cable and Housing for Shifter (Indicate Shifter Type)	EA



Force 2, Frame Assembly

Date:	PO# / Customer#	Ship to <input type="checkbox"/> Customer <input type="checkbox"/> Provider	
Provider: _____	Account # _____	Customer: _____	Top End Sales Order: _____
Phone: _____	Fax: _____	Phone: _____	Serial #: _____

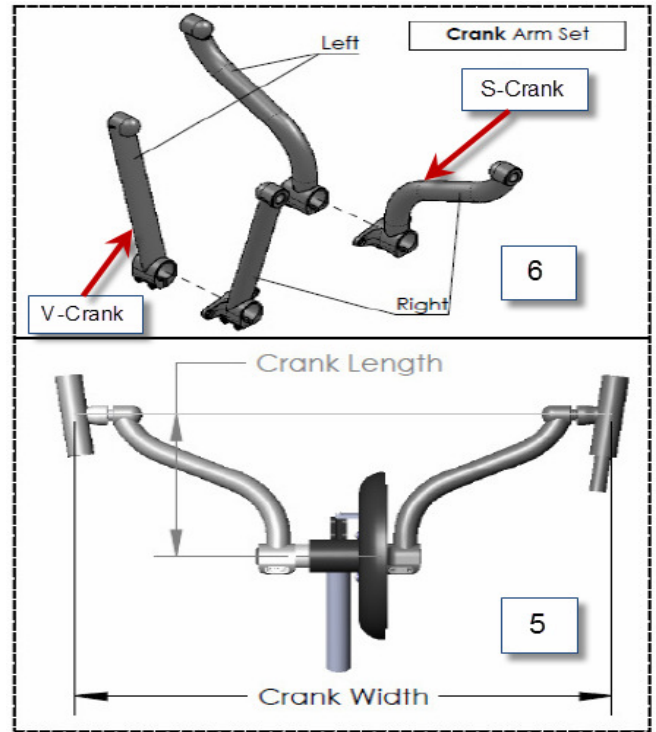
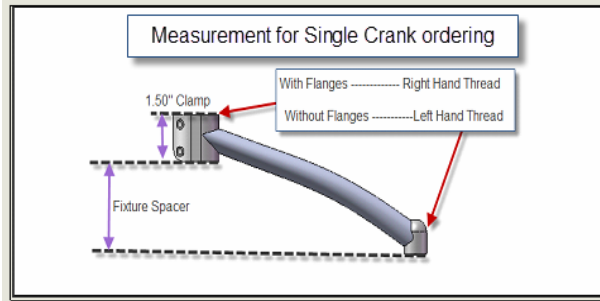
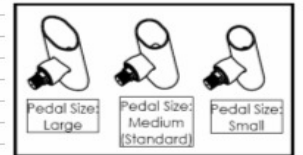
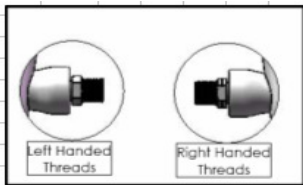
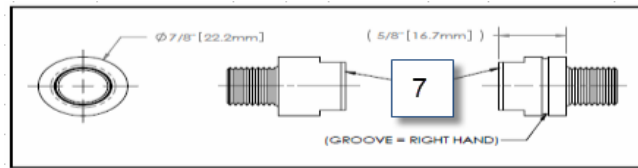
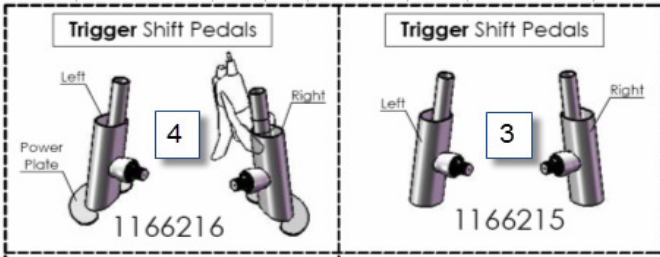
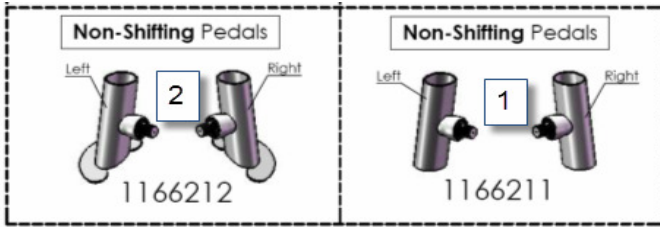


ITEM	PART NUMBER	PER BIKE	DESCRIPTION			QTY.
1	1166390	1	Frame, Force 2	Serial # Required: -Wheel Base, 60" Std	-Seat Width: <input type="checkbox"/> 15" Red <input type="checkbox"/> 17" Blue	EA
2	1060882	2	Camber Clamp (with screw)			EA
3	1061179	2	Camber Insert, Threaded Axle, 9 degree			EA
4	1156741	1	Safety flag holder, (will not hold original Flag with orange Pole)			EA
5	1146002	1	Drafting Bumper (includes 2 plugs)			EA
6	1139803	2	Plug, 3/4" Black Dome			EA
6	1139810	1	Clamp, 1" Alloy, single screw			EA
7	1153145	1	Pivot Clamp with hardware (included 2 bolts, 1 nut, 2 Washers)			EA
8	1145958	1	Adjustable Back Support Tube			EA
9	1146019	1	Hardware, Upper Adjustable Back Support Tube			EA
10	1145952	1	Backrest, Force 2	Serial # Required:	-Seat Width: <input type="checkbox"/> 15" <input type="checkbox"/> 17"(add spacer/bolts)	EA
11	1146022	1	Hardware, Lower Backrest (Set of 2 Assemblies)			PR
12	1166399	2	Removable Headset Clamp			EA
13	1127963	1	Seat Upholstery, Black	Seat Width: <input type="checkbox"/> 15 <input type="checkbox"/> 17		EA
14	1166508	1	Seat Cushion, Black	Seat Width: <input type="checkbox"/> 15 <input type="checkbox"/> 17		EA
15	1146008	1	Back Cushion, Black	Seat Width: <input type="checkbox"/> 15 <input type="checkbox"/> 17		EA
16	1109772	1	Seat Belt	Seat Width: <input type="checkbox"/> 15 <input type="checkbox"/> 17		EA



Force 2, Upgrade Pedals and Arms

Date:	PO# / Customer#	Ship to <input type="checkbox"/> Customer <input type="checkbox"/> Provider	
Provider:	Account #	Customer:	Top End Sales Order:
Phone:	Fax:	Phone:	Serial #:



Notes:

1. Crank Arms can not be replaced unless Crank Assembly Kit has been Previously intalled.
2. Original Hand Pedal and Manual Derailleur to be re-used in above conversion Kit.
3. Item #5, Hand Pedal not included. see drawing for parts list.

Pedals and Cranks							QTY.
ITEM	PART NUMBER	PER BIKE		Pedal Size	Bike Serial #	R or L	Dot?
1	1166211	1	Handpedal, Non-Shifting	<input type="checkbox"/> Lg <input type="checkbox"/> Med <input type="checkbox"/> Sm		<input type="checkbox"/> R <input type="checkbox"/> L	Yes
2	1166212	1	Handpedal w/ Power Plate, Non-Shifting	<input type="checkbox"/> Lg <input type="checkbox"/> Med <input type="checkbox"/> Sm		<input type="checkbox"/> R <input type="checkbox"/> L	Yes
3	1166215	1	Handpedal, Trigger Shift	<input type="checkbox"/> Lg <input type="checkbox"/> Med <input type="checkbox"/> Sm		<input type="checkbox"/> R <input type="checkbox"/> L	Yes
4	1166216	1	Handpedal w/ Power Plate, Trigger Shift	<input type="checkbox"/> Lg <input type="checkbox"/> Med <input type="checkbox"/> Sm		<input type="checkbox"/> R <input type="checkbox"/> L	Yes

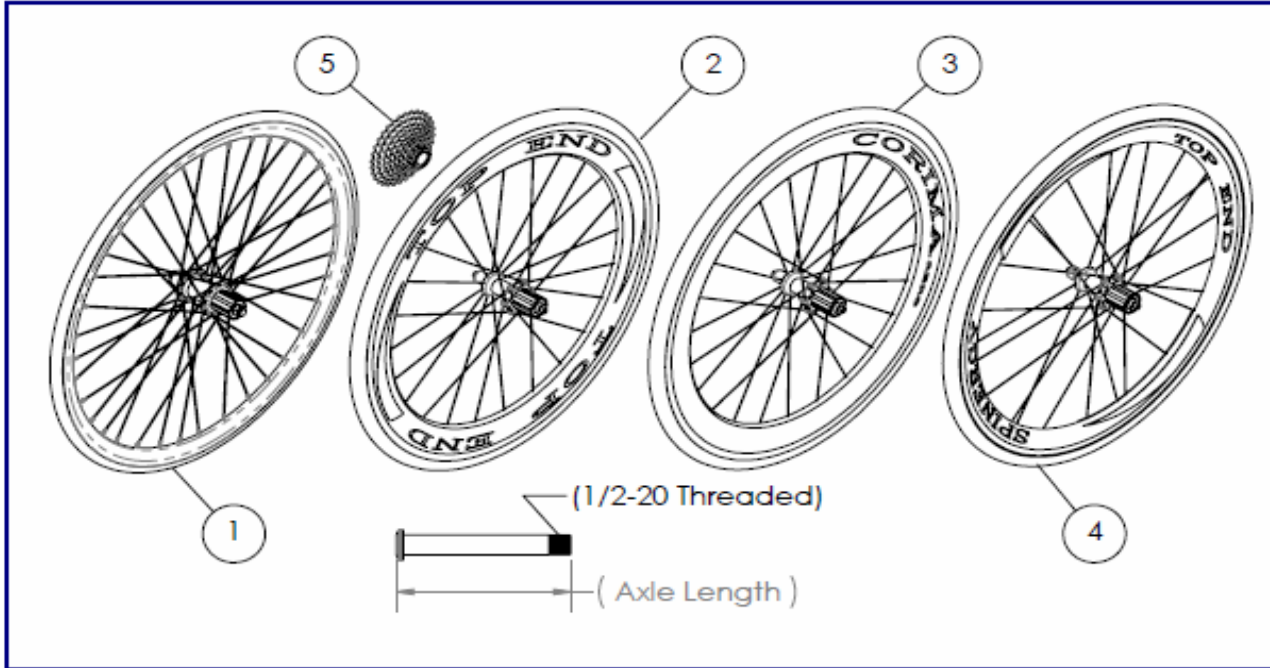
Crank Conversion Kits		Bike Serial #	Crank Length (mm)	Crank Width (in)	Chainring Combination	
5	1166414	1	S-Crank Assembly, Kit	<input type="checkbox"/> 200 <input type="checkbox"/> 210	<input type="checkbox"/> 22 <input type="checkbox"/> 24	EA
	1166392	1	V-Crank Assembly, Kit	<input type="checkbox"/> 180 <input type="checkbox"/> 190	<input type="checkbox"/> 20	EA

Crank Replacement		Bike Serial #	Crank Length (mm)	Crank Width (in)	Groove?	
6	1166282	1	S-Crank Arm, Set	<input type="checkbox"/> 200 <input type="checkbox"/> 210	<input type="checkbox"/> 22 <input type="checkbox"/> 24	Yes
	1166217	1	V-Crank Arm, Set	<input type="checkbox"/> 180 <input type="checkbox"/> 190	<input type="checkbox"/> 20	Yes
7	1166516	1	Crank Width Extension Set, Adapter (Increase Overall Width by 1-1/4")			PR



Force 2, Wheels Assembly

Date:	PO# / Customer#	Ship to <input type="checkbox"/> Customer <input type="checkbox"/> Provider
Provider: _____	Account # _____	Customer: _____
Phone: _____	Fax: _____	Phone: _____
		Top End Sales Order: _____
		Serial #: _____



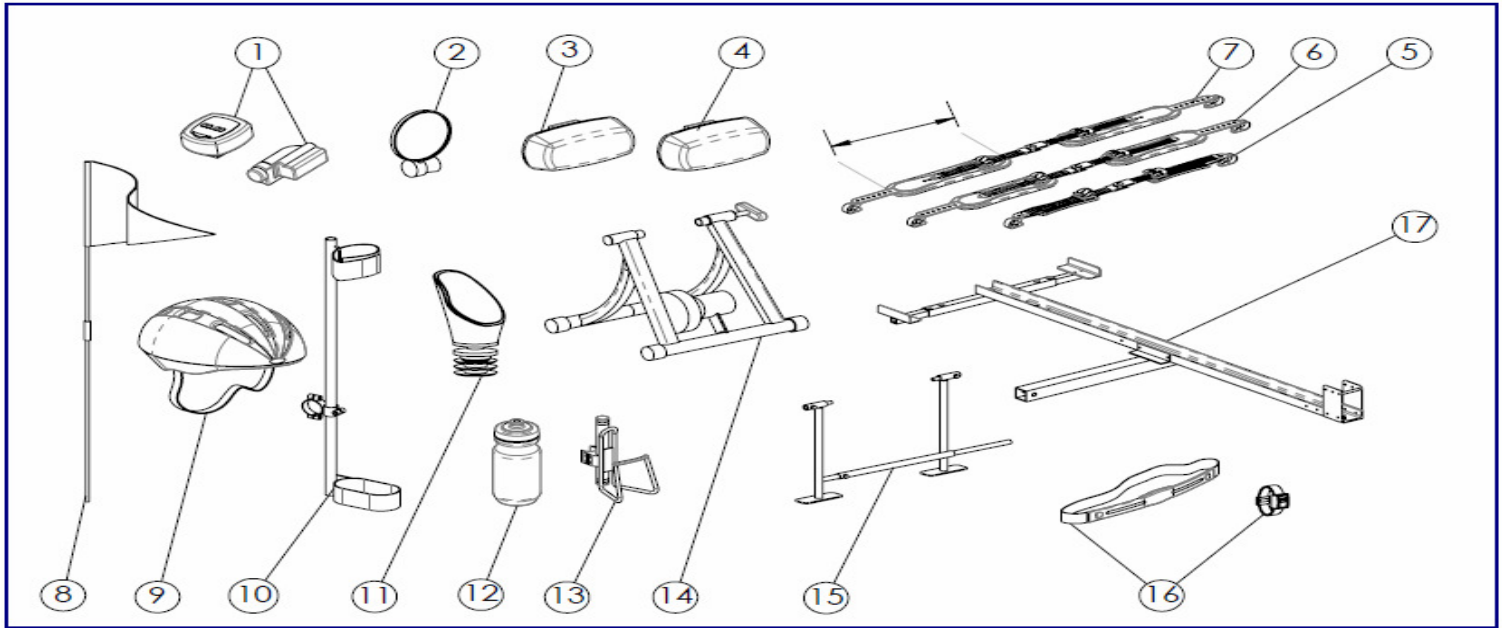
ITEM	PART NUMBER	PER BIKE	DESCRIPTION	QTY.
1	1156776	1	26 In. (571) High Performance Front Wheel (Drive), (Clincher Only) Alex Black Spoke	EA
	1156778	2	26 In. (571) High Performance Rear Wheel (Non-Drive), (Clincher Only) Alex Black Spoke (Axle not Included)	EA
	1166462	2	Threaded Axle, Standard Non-Drive (3.3") Alex	EA
2	1166260	1	26 In. (571) Top End Carbon Fiber Front Wheel (Drive), Tubular	EA
	1166261	2	26 In. (571) Top End Carbon Fiber Rear Wheel (Non-Drive), Tubular (Axle not Included)	EA
	1166246	2	Threaded Axle, Carbon Fiber Non-Drive (4.3")	EA
3	1156724	1	26 In. (571) Corima AERO, Front wheel assembly, (Tubular Only)	EA
	1156725	2	26 In. (571) Corima AERO w/threaded axle, Rear wheel assembly, (Tubular Only) Built in Axle	EA
4	1166385	1	26 In. Spinergys Front Wheel (Drive), Clincher	EA
	1166386	2	26 In. (571) Spinergys Rear Wheel (Non-Drive) w/Threaded Axle, Clincher	EA
5	1156688	1	SRAM Cassette, 11-23	EA
	1156689	1	SRAM Cassette, 11-26	EA
	1156711	1	SRAM Cassette, 11-34 (Standard)	EA
	1060149	3	Tire 26" Hi-Performance Clincher	EA
	1156680	3	Tire, 26" Continental Grand Prix 4000 clincher	EA
	1060160	3	Tube 26" (Hi-Performance), Standard Stem	EA
	1139820	3	Tube 26" (Hi-Performance), Long Stem (Zipp only)	EA
	1061213	3	26 In. Rim Strip	EA
	RACE36	3	Tire, Tubular Tufo S3 Lite	EA
	RACE31	3	Tire, Tubular Tufo Jet Special	EA
	1166472	3	Tire, 26" Continental Sprinter, Tubular	EA

2.6



Force 2 Accessories

Date:	PO# / Customer#	Ship to <input type="checkbox"/> Customer <input type="checkbox"/> Provider	
Provider: _____ Account # _____		Customer: _____	Top End Sales Order: _____
Phone: _____ Fax: _____		Phone: _____	Serial #: _____



ITEM	PART NUMBER	PER BIKE	DESCRIPTION	QTY.	
1	1056875	1	Cordless Computer		EA
2	1068722	1	Mirror, Footrest Mount		EA
3	1068721	1	Front Safety Light (clear)		EA
4	1060841	1	Rear Safety Light (red)		EA
5	1152963	1	Click Strap Set, 8" (small)		EA
6	1152964	1	Click Strap Set 10" (medium)		EA
7	1152965	1	Click Strap Set 12" (large)		EA
8	1060642	1	Safety flag (must purchase p/n 1156741 holder to install this flag)		EA
	1156741	1	Safety Flag Holder		EA
9	1060639	1	Helmet: <input type="checkbox"/> Small <input type="checkbox"/> Medium <input type="checkbox"/> Large		EA
10	1068723	1	Crutch Holder, Indicated Bike Model and serial #)		EA
11	1153045	1	Mirror, Handle Mount		EA
12	1166517	1	Water Bottle		EA
13	1068718	1	Water Bottle, Cage and Hardware (Indicated Bike Model)		PR
14	1116580	1	Indoor Training Roller		EA
15	1109717	1	Alignment Guage		EA
16	1139799	1	Heart Monitor (Chest Strap and Watch)		EA
17	1068771	1	Bike Rack for trailer hitch Receiver Size: <input type="checkbox"/> 1-1/4" (std) <input type="checkbox"/> 2"		EA
	1166528	1	Leg Guard Attachment (indicate bike model)		EA
	1060798	1	Backpack Hydration System		EA
	1166518	1	Tool and Tire Repair Kit		EA
	RACE4	1	Wheel Bag		EA
	RACE20	1	Handcycle Travel Bag		EA
	RACE13	1	Top End Bike Jersey <input type="checkbox"/> L <input type="checkbox"/> XL		EA
	RACE22	1	Top End T-Shirt <input type="checkbox"/> L <input type="checkbox"/> XL		EA

2.6