

Spare Parts Catalogue

Version: 2008/09/04b EN

Aquatec® Ocean





Yes, you can.®

General Information

For any order of spare parts the following information is required:

- Product type*
- Product name & model*
- Serial Number*
- Part-Number*
- Part-Description*

Exploded view drawings and code numbers are not contractual and subject to modification, in relation to Invacare® continuous product improvement policy to meet end users needs.

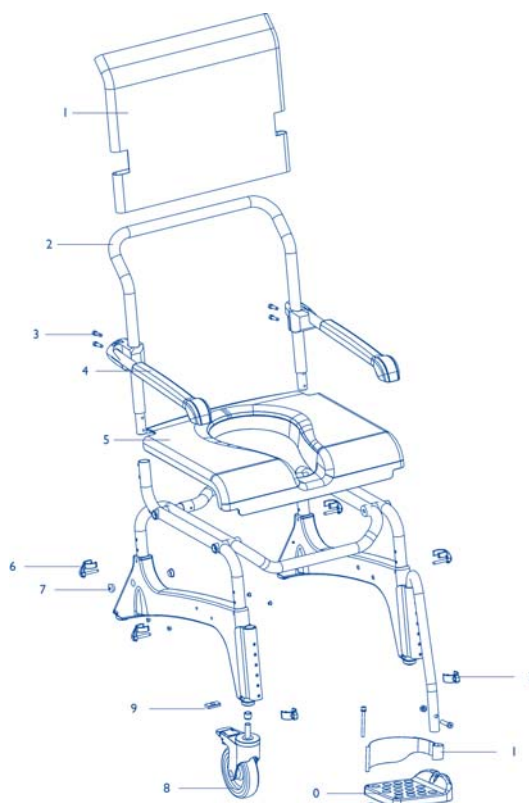
The reproduction or use of this work, or of any substantial part of this work, in any form or by any electronic, mechanical or other means, including photocopying, scanning and recording, and in any information storage and retrieval system, including electronic transmission, is forbidden without the prior written permission of Invacare® International Sarl.



Yes, you can.®

TABLE OF CONTENTS

Spare parts	5
Accessories	6



Pos.	Part number	Description	Valid from → until	Qty
1	16336	24 self-propelling wheel, Aquatec Ocean		1
	16337	hub complete, Aquatec Ocean		1
	16338	quick-release axis, Aquatec Ocean / Laguna		1
	16339	left brake cplt. Aquatec Ocean		1
	16340	right brake cplt. Aquatec Ocean		1
	16432	footrest left, complete, Aquatec Ocean / Ocean E-Vip		1
	16433	footrest right, complete, for Aquatec Ocean / Ocean E-Vip		1
	10230	sanitary pan with lid for Aquatec Laguna / Ocean / Ocean Vip / Ocean Dual Vip / Ocean E-Vip		1
	16335	sanitary pan holder Aquatec Ocean		1
	16278	operating instruction Aquatec Ocean		1
1	16257	adjustable backrest Aquatec Ocean		1
2	16377	backrest incl. armrests, w/o backrest cover for Aquatec Ocean		1
3	16434	attachment set backrest Aquatec Ocean, Ocean Vip, Ocean Dual Vip		1
4	16472	overlay for armrest tube for Aquatec Ocean / Ocean XL / Ocean Vip / Ocean Dual Vip / Ocean E-Vip		1
	16265	armrest left (set), Aquatec Ocean		1
	16263	armrest right (set), Aquatec Ocean		1
5	16262	seat Aquatec Ocean / Ocean E-Vip		1
6	16256	clip for frame AQUATEC OCEAN		1
7	16258	set dummy plugs Aquatec Ocean		1
8	16259	castor 5 Aquatec Ocean / Ocean Vip / Ocean Dual Vip / Ocean E-Vip		1
9	16721	nut for fixation of 5 wheel Aquatec Ocean		1
10	16260	footplate Aquatec Ocean / Ocean E-Vip		1
11	16334	heel loop Aquatec Ocean / Ocean VIP / Ocean Dual Vip / Ocean E-Vip		1
12	16333	clip for footrest Aquatec Ocean / Ocean VIP / Ocean Dual Vip / Ocean E-Vip		1

Accessories



Pos.	Part number	Description	Valid from → until	Qty
1	16341	soft seat with key cut for Aquatec Ocean / Ocean E-Vip		1
2	16343	insert for soft seat, key cut for AQUATEC OCEAN/OCEAN VIP/Ocean Vip XL/Ocean Dual Vip/Ocean E-Vip		1
3	16342	soft seat with oval cut for Aquatec Ocean/Ocean Vip/Ocean Vip XL/Ocean Dual Vip/Ocean E-Vip		1
4	16511	splash guard for Aquatec Ocean/Ocean Vip/Ocean Vip XL/Ocean Dual Vip/Ocean E-Vip		1
5	10167-10	Safety bar for assembly at armrests, for Aquatec Ocean/Ocean Vip/Ocean Dual Vip		1
6	1451959	safety belt Aquatec Laguna / Ocean / Flexibil /		1
7	1470081	chest belt for Aquatec Ocean, Ocean Vip, Ocean Dual Vip, Ocean E-Vip		1
7	1470082	pelvis belt for Aquatec Ocean, Ocean Vip, Ocean Dual Vip, Ocean E-Vip		1
8	16597	armrest lock Aquatec Ocean (pair)		1
9	1471116	Upgrade Aquatec Ocean XL: without backrest, armrest extension (pair) - weight capacity 150 kg, (from 04/06)		1
10	16379	24self-propelling wheels (set) with brakes, Aquatec Ocean		1
11	16616	amputation support Aquatec Ocean, once piece		1
12	16615	calf support Aquatec Ocean, one piece		1
13	10230	sanitary pan with lid for Aquatec Laguna / Ocean / Ocean Vip / Ocean Dual Vip / Ocean E-Vip		1
	16335	sanitary pan holder Aquatec Ocean		1
14	16521	transport bag Aquatec Ocean		1



Yes, you can.®



Belgium & Luxemburg:

Invacare nv, Autobaan 22, B-8210 Loppem
Tel: (32) (0)50 83 10 10, Fax: (32) (0)50 83 10 11
belgium@invacare.com

Danmark:

Invacare A/S, Sdr. Ringvej 37, DK-2605 Brøndby
Tel: (45) (0)36 90 00 00, Fax: (45) (0)36 90 00 01
denmark@invacare.com

Deutschland:

Invacare Aquatec GmbH, Alemannenstraße 10, D-88316 Isny
Tel: (49) (0)75 62 7 00 0, Fax: (49) (0)75 62 7 00 66
info@invacare-aquatec.com

European Distributor Organisation:

Invacare, Kleiststraße 49, D-32457 Porta Westfalica
Tel: (49) (0)57 31 754 540, Fax: (49) (0)57 31 754 541
edo@invacare.com

España:

Invacare SA, c/Areny s/n, Polígon Industrial de Celrà, E-17460 Celrà (Girona)
Tel: (34) (0)972 49 32 00, Fax: (34) (0)972 49 32 20
contactsp@invacare.com

France:

Invacare Poirier SAS, Route de St Roch, F-37230 Fondettes
Tel: (33) (0)2 47 62 64 66, Fax: (33) (0)2 47 42 12 24
contactfr@invacare.com

Ireland:

Invacare Ireland Ltd, Unit 5 Seatown Business Campus, Seatown Road, Swords, County Dublin - Ireland
Tel: (353) 1 810 7084, Fax: (353) 1 810 7085
ireland@invacare.com

Italia:

Invacare Mecc San s.r.l., Via dei Pini 62, I-36016 Thiene (VI)
Tel: (39) 0445 38 00 59, Fax: (39) 0445 38 00 34
italia@invacare.com

Nederland:

Invacare BV, Celsiusstraat 46, NL-6716 BZ Ede
Tel: (31) (0)318 695 757, Fax: (31) (0)318 695 758
nederland@invacare.com, csede@invacare.com

Norge:

Invacare AS, Grensesvingen 9, Postboks 6230, Etterstad, N-0603 Oslo
Tel: (47) (0)22 57 95 00, Fax: (47) (0)22 57 95 01
norway@invacare.com, island@invacare.com

Österreich:

Mobitec Mobilitätshilfen GmbH, Herzog Odilostrasse 101, A-5310 Mondsee
Tel: (43) 6232 5535 0, Fax: (43) 6232 5535 4
office@mobitec-austria.com, austria@invacare.com

Portugal:

Invacare Lda, Rua Senhora de Campanhã 105, P-4369-001 Porto
Tel: (351) (0)225 1059 46147, Fax: (351) (0)225 1057 39
portugal@invacare.com

Sverige & Suomi:

Invacare AB, Fagerstagatan 9, S-163 91 Spånga
Tel: (46) (0)8 761 70 90, Fax: (46) (0)8 761 81 08
sweden@invacare.com, finland@invacare.com

Switzerland:

Mobitec Rehab AG, Benkenstrasse 260, CH-4108 Witterswil
Tel: (41) (0)61 487 70 80, Fax: (41) (0)61 487 70 81
office@mobitec-rehab.ch, switzerland@invacare.com

United Kingdom:

Invacare Ltd, South Road, Bridgend Industrial Estate, UK-Bridgend CF31 3PY
Tel: (44) (0)1656 664 321, Fax: (44) (0)1656 667 532
UK@invacare.com