

# *Spare Parts Catalogue*

---

Version: 2014/02/24a EN



**Invacare® Colibri™**



**Yes, you can.®**

## **General Information**

*For any order of spare parts the following information is required:*

- Product type*
- Product name & model*
- Serial Number*
- Part-Number*
- Part-Description*

*Exploded view drawings and code numbers are not contractual and subject to modification, in relation to Invacare® continuous product improvement policy to meet end users needs.*

*The reproduction or use of this work, or of any substantial part of this work, in any form or by any electronic, mechanical or other means, including photocopying, scanning and recording, and in any information storage and retrieval system, including electronic transmission, is forbidden without the prior written permission of Invacare® International Sarl.*



**Yes, you can.®**

## **TABLE OF CONTENTS**

---

### **Information**

User Manuals Colibri .....	5
----------------------------	---

### **Chassis & Shrouds**

Front Chassis & Front Axis .....	6
Front Shroud .....	7
Colour Shrouds .....	8
Rear Chassis .....	9
Rear Shrouds .....	10
Colour Shrouds .....	8
Batteries, Battery-Box & Chargers .....	11
Steering & Tiller Shrouds .....	12
Colour Shrouds .....	8
Electronics & Controller .....	13
Colour Shrouds .....	8

### **Seat**

Seat & Armpads .....	14
Options & Accessories .....	15

### **Wheels**

Front Wheels .....	16
Rear Wheels .....	17

### **Propulsion**

Motor & Transaxle .....	18
-------------------------	----

### **Electronics & Controller**

Electronics & Controller .....	13
--------------------------------	----

### **Battery, Cable & Charger**

Cables .....	19
Batteries, Battery-Box & Chargers .....	11

### **Option & Accessories**

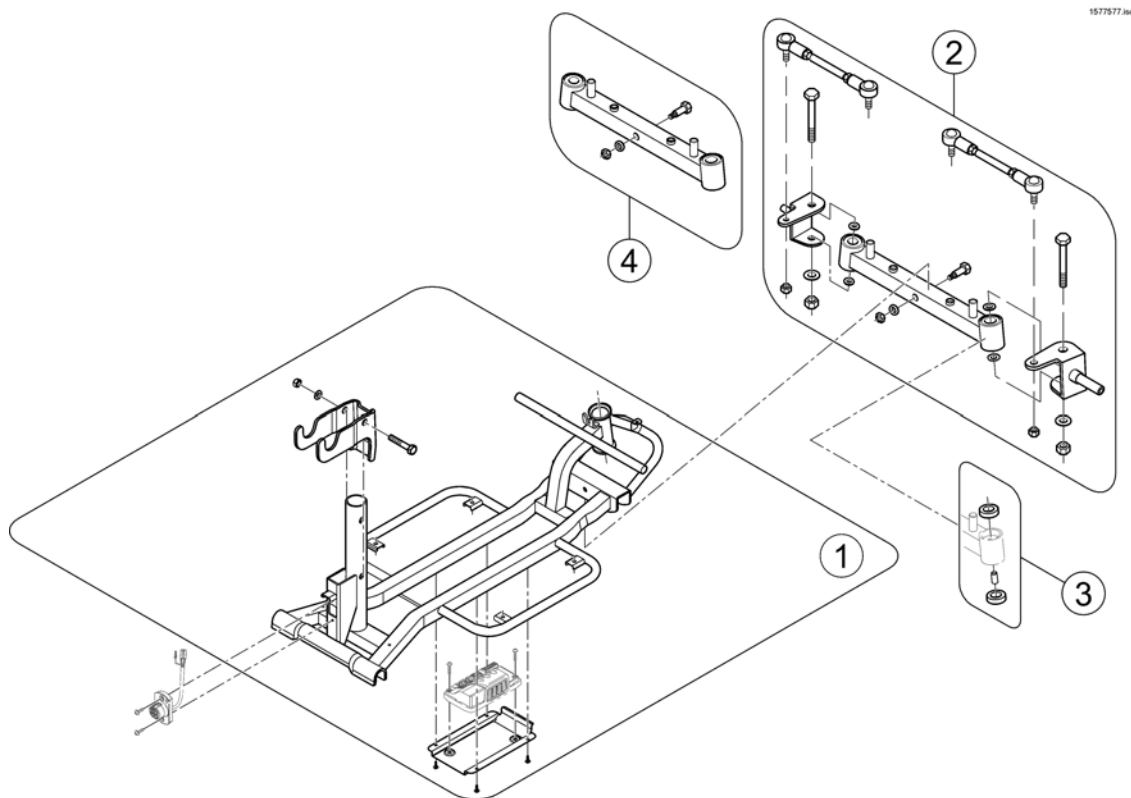
Options & Accessories .....	15
-----------------------------	----



CS ČESKY	FR FRANÇAIS	PL POLSKI
DA DANSK	HR HRVATSKI	PT PORTUGUÊS
DE DEUTSCH	HU MAGYAR	SK SLOVENČINA
EN ENGLISH	IT ITALIANO	SL SLOVENŠČINA
ES ESPAÑOL	LT LIETUVIŲ KALBA	SV SVENSKA
ET EESTI KEEL	NL NEDERLANDS	RO ROMÂNĂ
FI SUOMEN KIELI	NO NORSK	JA 日本語
BG БЪЛГАРСКИ	RU РУССКИЙ ЯЗЫК	LV LATVIAN
	HE עברית	

Pos.	Part number	Description	Valid from → until	Qty
EN	SP1576371	User Manual Colibri EN		1
CS	SP1576468	User Manual Colibri CS		1
DA	SP1576469	User Manual Colibri DA		1
DE	SP1576470	User Manual Colibri DE		1
ES	SP1576471	User Manual Colibri ES		1
ET	SP1576472	User Manual Colibri ET		1
FI	SP1576514	User Manual Colibri FI		1
FR	SP1576515	User Manual Colibri FR		1
HR	SP1576516	User Manual Colibri HR		1
IT	SP1576517	User Manual Colibri IT		1
LT	SP1576518	User Manual Colibri LT		1
NL	SP1576519	User Manual Colibri NL		1
PL	SP1576520	User Manual Colibri PL		1
PT	SP1576521	User Manual Colibri PT		1
RO	SP1576522	User Manual Colibri RO		1
SL	SP1576523	User Manual Colibri SL		1
SV	SP1576524	User Manual Colibri SV		1

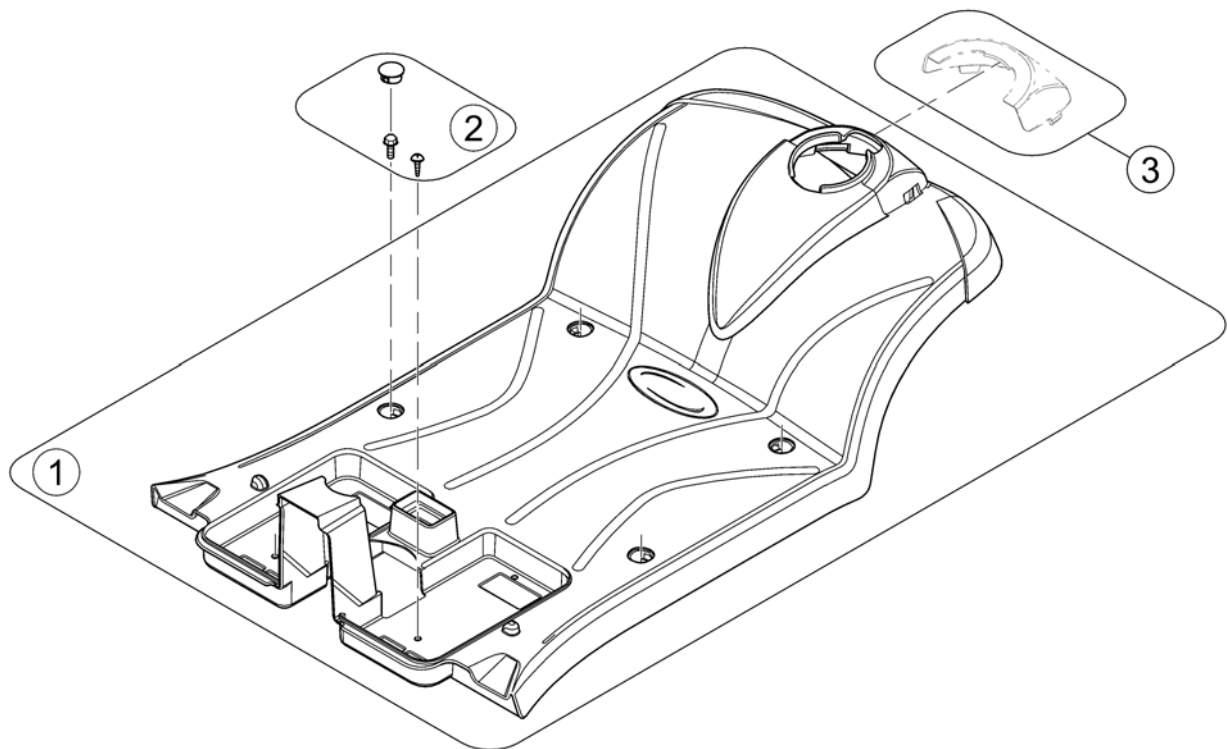
# Front Chassis & Front Axis



Pos.	Part number	Description	Valid from → until	Qty
1	SP1577405	Front Frame		1
2	SP1577424	Front Axis, cpl.		1
3	SP1577517	Bearing Kit Front Axis, cpl.		1
4	SP1577539	Swing Assembly		1

# Front Shroud

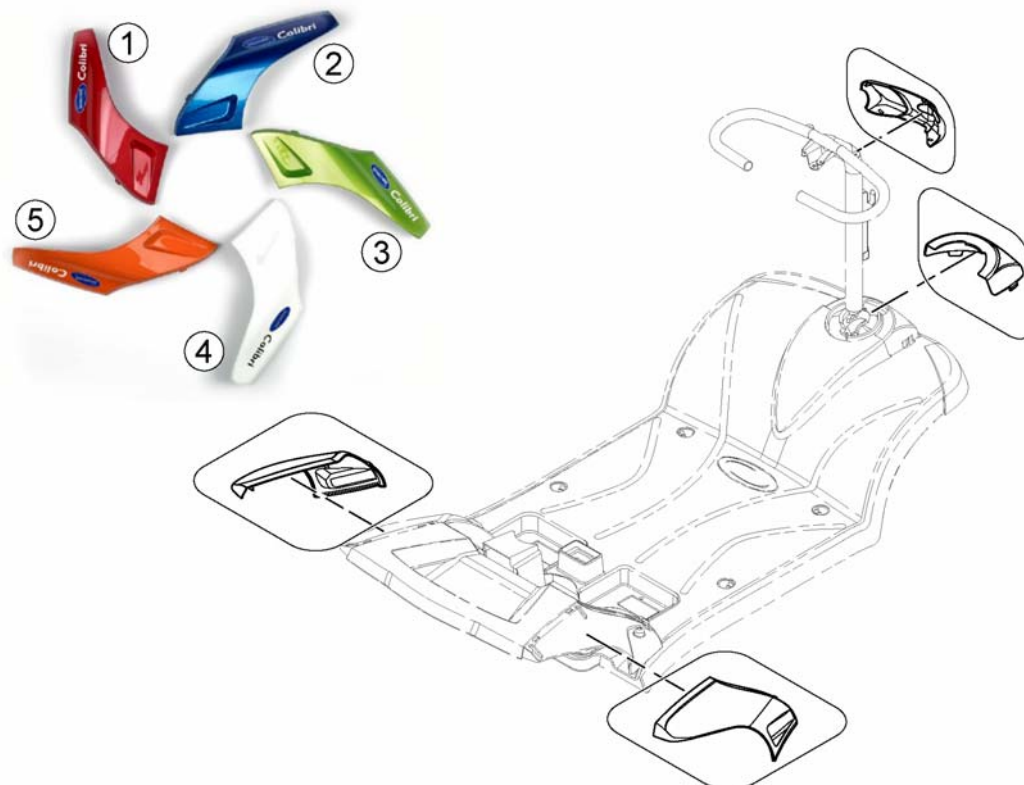
1577578.iso



Pos.	Part number	Description	Valid from → until	Qty
1	SP1577419	Front Shroud		1
2	SP1577422	Mounting Kit Front Shroud		1
3	-	Colour Shrouds		0

## Colour Shrouds

1577619.00

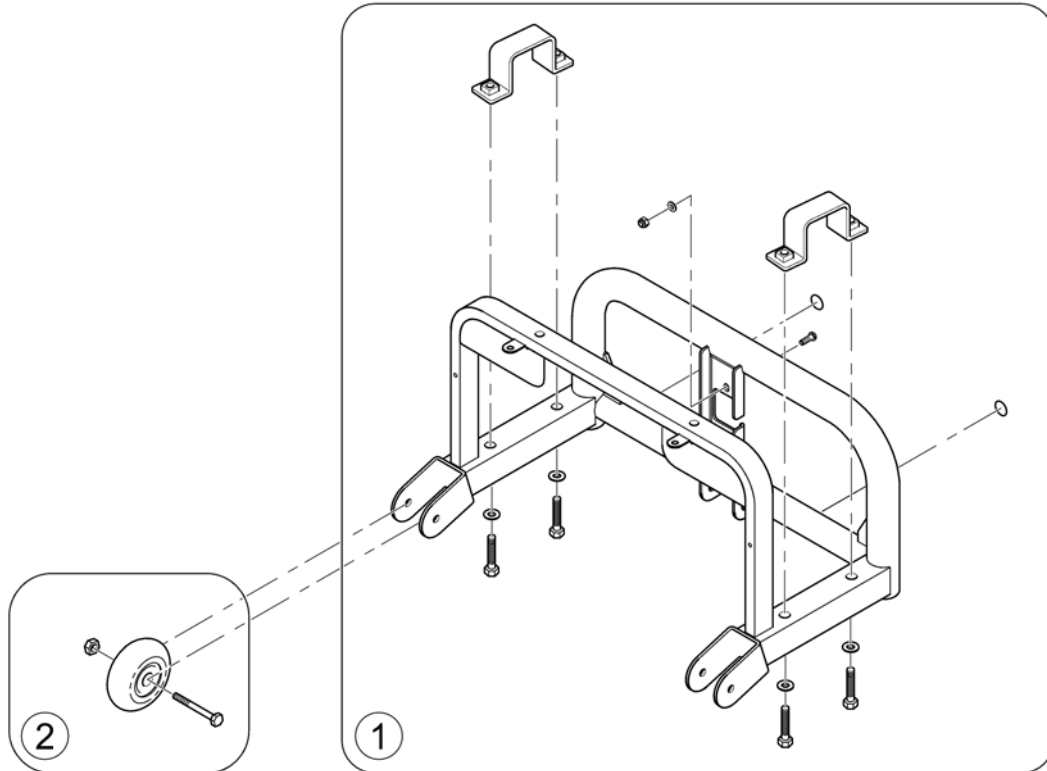


Pos.	Part number	Description	Valid from → until	Qty
1	SP1577169	Color Shrouds Kit - Jasper Red		1
2	SP1577171	Color Shrouds Kit - Sapphire Blue		1
3	SP1577170	Color Shrouds Kit - Jade Green		1
4	SP1577168	Color Shrouds Kit - Marble White		1
5	SP1577172	Color Shrouds Kit - Sunstone Orange		1



# Rear Chassis

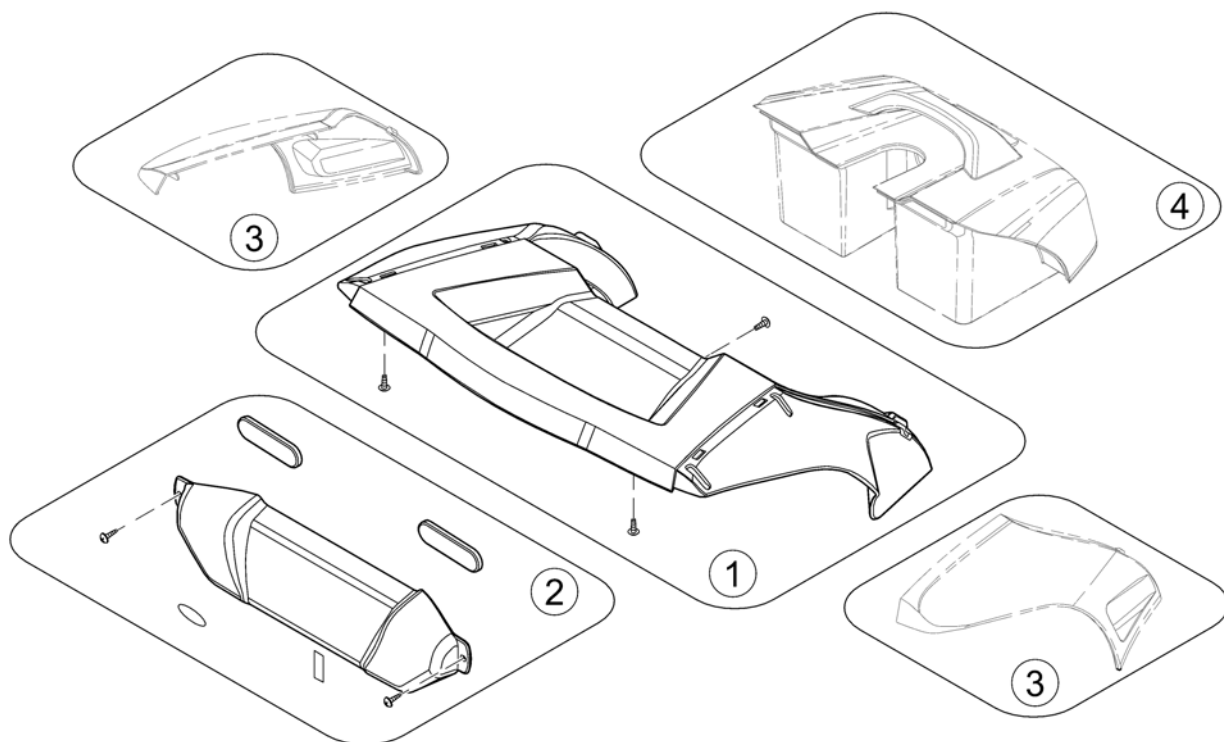
1577579 iso



Pos.	Part number	Description	Valid from → until	Qty
1	SP1577434	Rear Frame		1
2	SP1577450	Anti Tipper		1

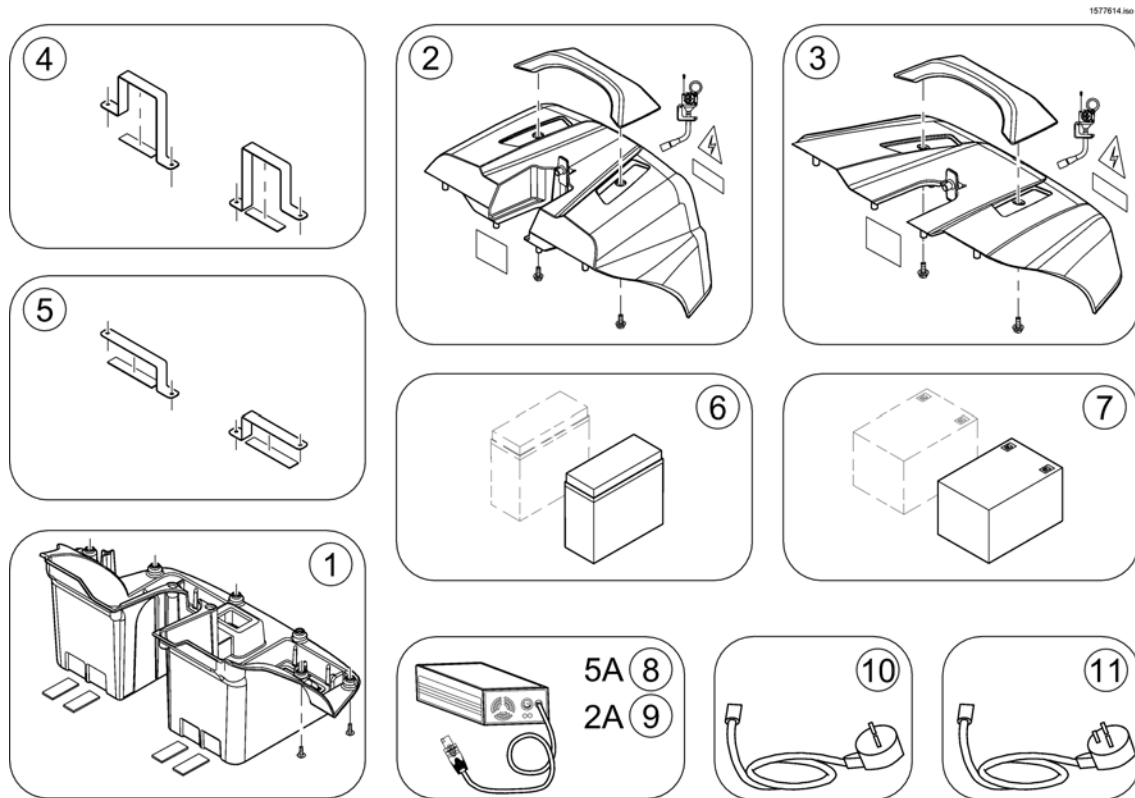
# Rear Shrouds

1577580.000



Pos.	Part number	Description	Valid from → until	Qty
1	SP1577436	Rear Shroud		1
2	SP1577435	Shroud Motor Protection		1
3	-	Colour Shrouds		0
4	-	Batteries, Battery-Box & Chargers		0

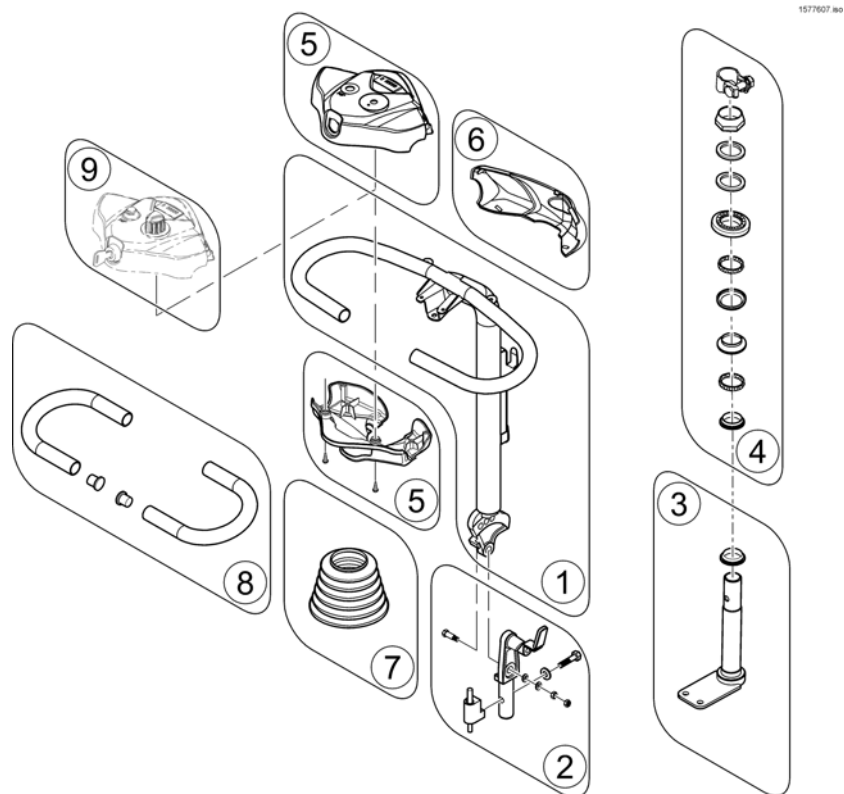
# Batteries, Battery-Box & Chargers



1577614.iso

Pos.	Part number	Description	Valid from → until	Qty
1	SP1577440	Battery Box		1
2	SP1577439	Battery Lid 18Ah, cpl.		1
3	SP1577438	Battery Lid 12Ah, cpl.		1
4	SP1577516	Mounting Kit 18Ah		1
5	SP1577518	Mounting Kit 12Ah		1
-		INFO! Replace batteries in pairs and same type only!		1
6	SP1577442	Battery 12V/18Ah AGM		1
7	SP1506493	Battery 12V/12Ah, lead acid		1
8	1505409	Charger 24V DC/5A		1
9	SP1577437	Charger 2A		1
10	P21079	Power Cord, Continental Shockproof Plug		1
11	P21080	Power Cord, UK		1

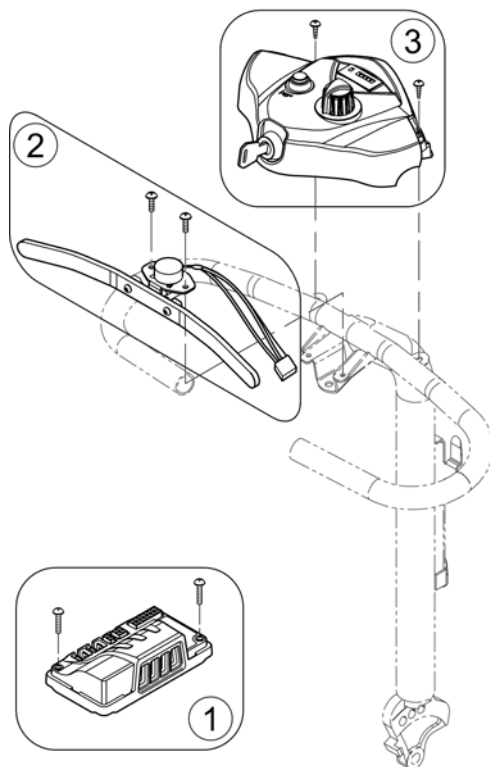
# Steering & Tiller Shrouds



Pos.	Part number	Description	Valid from → until	Qty
1	SP1577432	Steering Bar		1
2	SP1577433	Steering Pivot		1
3	SP1577418	Steering Tube		1
4	SP1577417	Steering Bearing Kit		1
5	SP1577427	Tiller Shrouds Kit		1
6	-	Colour Shrouds		1
7	SP1505401	Cover, Steering		1
8	SP1577429	Handle Bar Grip		1
9	-	Electronics & Controller		1

# Electronics & Controller

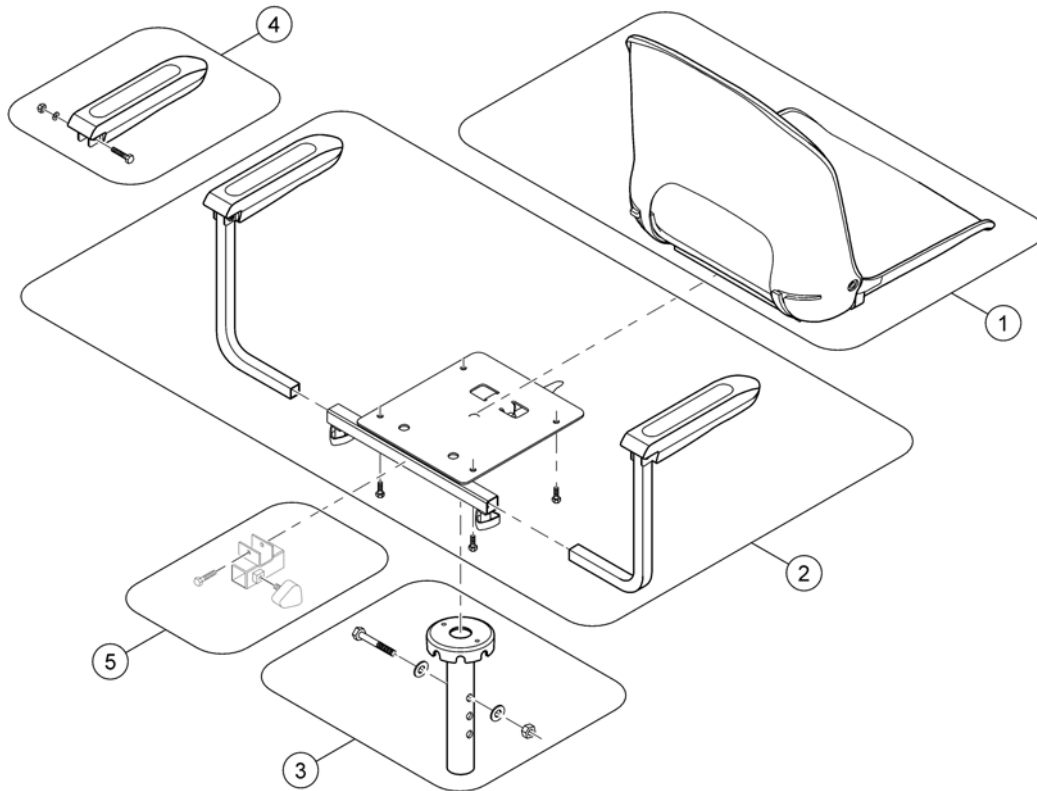
1577612.iso



Pos.	Part number	Description	Valid from → until	Qty
1	SP1577423	Controller DR50 incl Mounting Hardware		1
2	SP1577428	Wig Wag (incl. Poti)		1
3	SP1577426	Tiller Electronic, cpl.		1

# Seat & Armpads

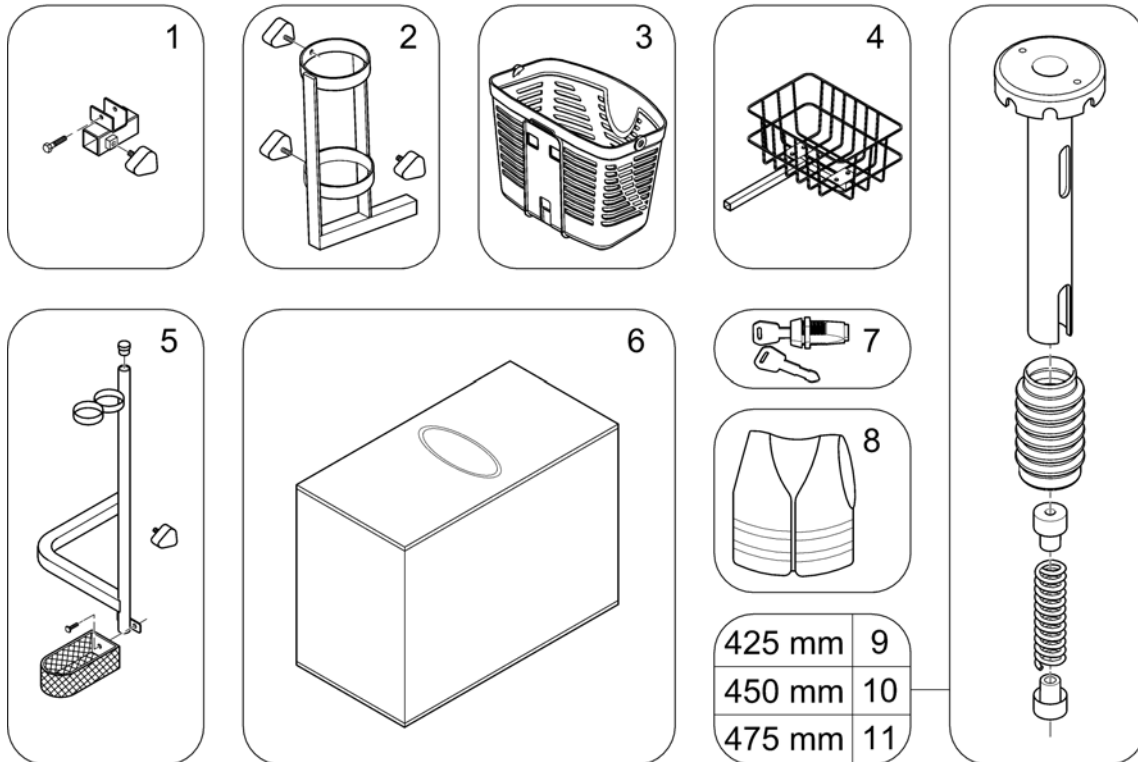
1577608so



Pos.	Part number	Description	Valid from → until	Qty
1	SP1577444	Seat		1
2	SP1577445	Seat Support		1
3	SP1577446	Seat Post		1
4	SP1577443	Arm Pad LH/RH		1
5	-	Options & Accessories		1

## Options & Accessories

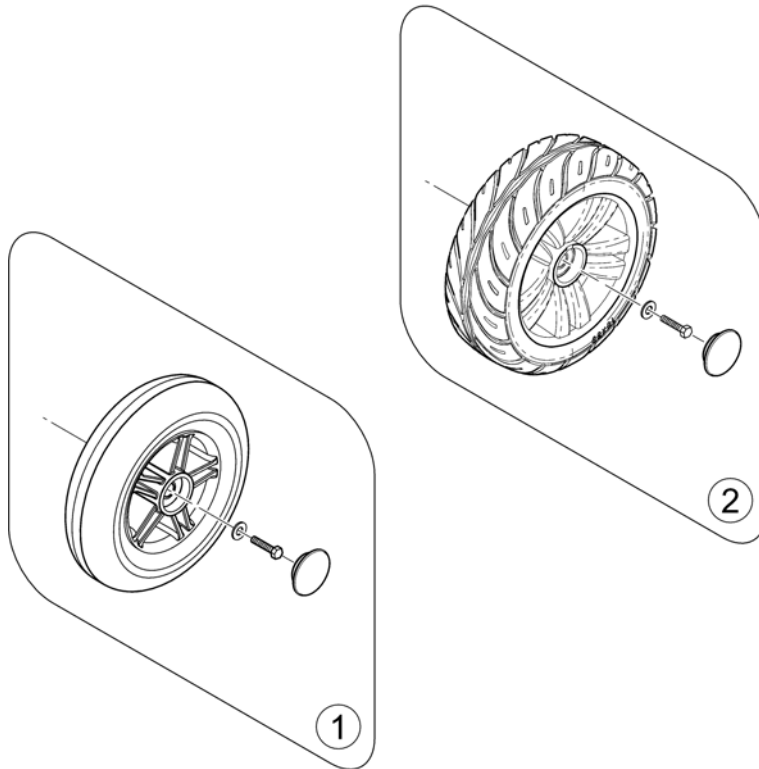
1577615.no



Pos.	Part number	Description	Valid from → until	Qty
1	SP1577455	Accessory Bracket <i>Needed in conjunction with positions 2, 4 &amp; 5 / Benötigt in Verbindung mit Pos. 2, 4 &amp; 5</i>		1
2	SP1572971	Oxygen bottle holder cpl with screws		1
3	SP1577430	Front Basket		1
4	SP1505727	Rear Basket, cpl.		1
5	SP1528274	Crutchholder, cpl.		1
6	SP1509434	Storage Cover		1
7	SP1543153	Personal Key Cylinder + 2 Keys		1
8	SP1521592	Safety vest		1
9	SP1577212	Seat Suspension low, 425mm		1
10	SP1577213	Seat Suspension mid, 450mm		1
11	SP1577214	Seat Suspension high, 475mm		1

# Front Wheels

1577609 iso

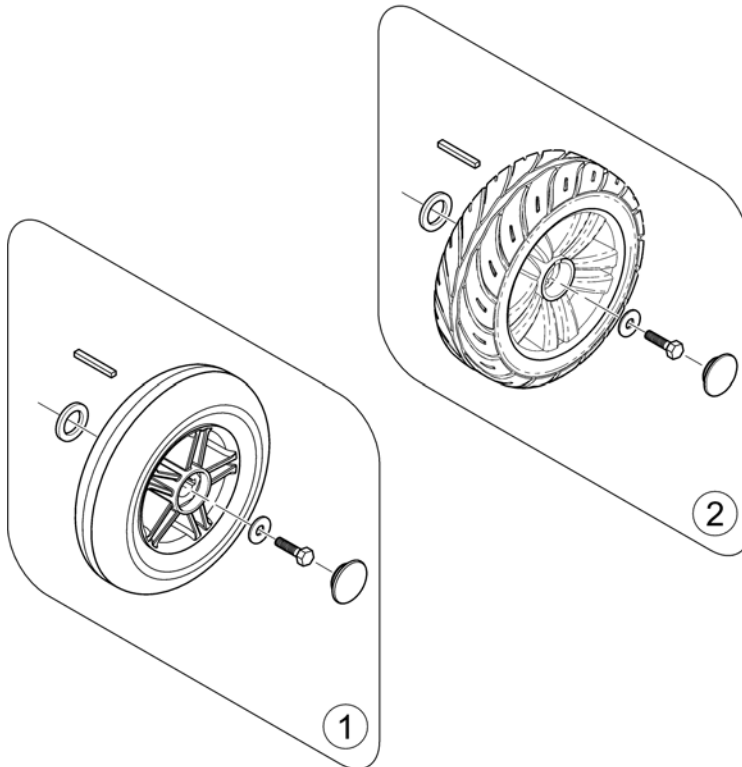


Pos.	Part number	Description	Valid from → until	Qty
1	SP1577425	Front Wheel 200x50mm, cpl.		1
2	SP1577452	Front Wheel 210x65mm, cpl.		1



## Rear Wheels

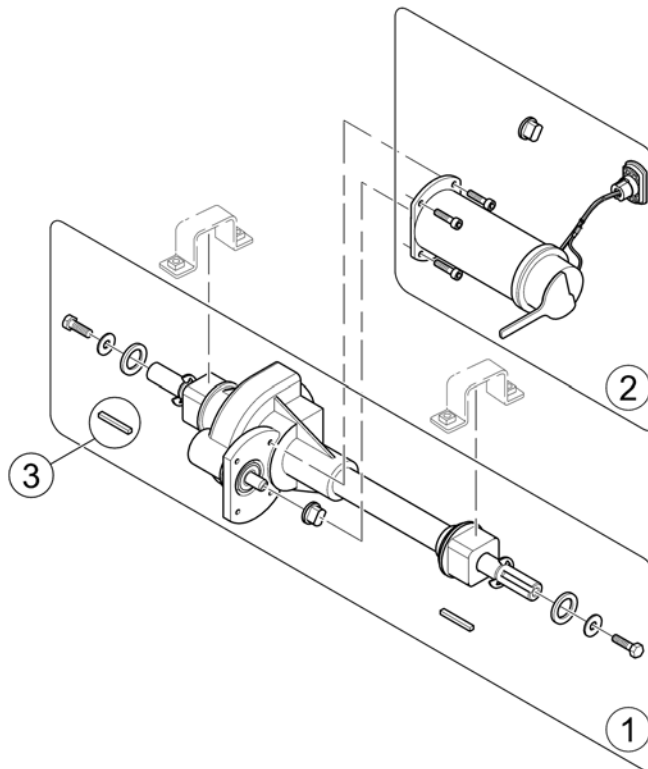
1577610.iso



Pos.	Part number	Description	Valid from → until	Qty
1	SP1577448	Rear Wheel 200x50mm, cpl.		1
2	SP1577451	Rear Wheel 210x65mm, cpl.		1

# Motor & Transaxle

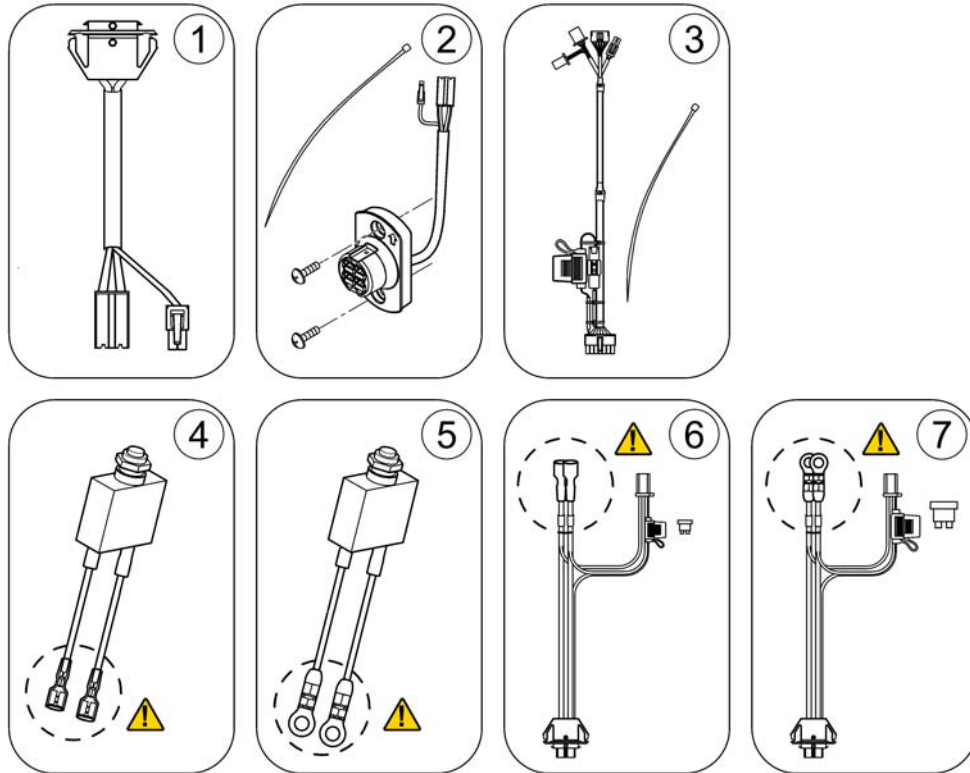
1577611.00



Pos.	Part number	Description	Valid from → until	Qty
1	SP1577447	Transaxle, cpl.		1
2	SP1577449	Motor incl. Mounting Hardware		1
3	SP1577454	Key-Kit (10 pcs)		1

# Cables

1577613.060



Pos.	Part number	Description	Valid from → until	Qty
1	SP1577421	Battery Connector		1
2	SP1577420	Motor / Battery Connector		1
3	SP1577431	Wire Harness		1
4	SP1577521	Circuit Breaker Cable 12Ah		1
5	SP1577522	Circuit Breaker Cable 18Ah		1
6	SP1577519	Battery Cable 12Ah		1
7	SP1577520	Battery Cable 18Ah		1



Yes, you can.®



---

**Belgium & Luxemburg:**

Invacare nv, Autobaan 22, B-8210 Loppem  
Tel: (32) (0)50 83 10 10, Fax: (32) (0)50 83 10 11  
belgium@invacare.com / www.invacare.be

**Denmark:**

Invacare A/S, Sdr. Ringvej 37, DK-2605 Brøndby  
Tel: (45) (0)36 90 00 00, Fax: (45) (0)36 90 00 01  
denmark@invacare.com / www.invacare.dk

**Deutschland:**

Invacare Aquatec GmbH, Alemannenstraße 10, D-88316 Isny  
Tel: (49) (0)75 62 7 00 0, Fax: (49) (0)75 62 7 00 66  
info@invacare-aquatec.com / www.invacare-aquatec.de

**European Distributor Organisation:**

Invacare, Kleiststraße 49, D-32457 Porta Westfalica  
Tel: (49) (0)57 31 754 540, Fax: (49) (0)57 31 754 541  
edo@invacare.com / www.invacare.eu.com

**España:**

Invacare SA, c/Areny s/n, Polígon Industrial de Celrà, E-17460 Celrà (Girona)  
Tel: (34) (0)972 49 32 00, Fax: (34) (0)972 49 32 20  
contactsp@invacare.com / www.invacare.es

**France:**

Invacare Poirier SAS, Route de St Roch, F-37230 Fondettes  
Tel: (33) (0)2 47 62 64 66, Fax: (33) (0)2 47 42 12 24  
contactfr@invacare.com / www.invacare.fr

**Ireland:**

Invacare Ireland Ltd, Unit 5 Seatown Business Campus, Seatown Road, Swords, County Dublin - Ireland  
Tel: (353) 1 810 7084, Fax: (353) 1 810 7085  
ireland@invacare.com / www.invacare.ie

**Italia:**

Invacare Mecc San s.r.l., Via dei Pini 62, I-36016 Thiene (VI)  
Tel: (39) 0445 38 00 59, Fax: (39) 0445 38 00 34  
italia@invacare.com / www.invacare.it

**Nederland:**

Invacare BV, Celsiusstraat 46, NL-6716 BZ Ede  
Tel: (31) (0)318 695 757, Fax: (31) (0)318 695 758  
nederland@invacare.com, csede@invacare.com / www.invacare.nl

**Norge:**

Invacare AS, Grensesvingen 9, Postboks 6230, Etterstad, N-0603 Oslo  
Tel: (47) (0)22 57 95 00, Fax: (47) (0)22 57 95 01  
norway@invacare.com, island@invacare.com / www.invacare.no

**Österreich:**

Invacare Austria GmbH, Herzog Odilostrasse 101, A-5310 Mondsee  
Tel: (43) 6232 5535 0, Fax: (43) 6232 5535 4  
info-austria@invacare.com / www.invacare.at

**Portugal:**

Invacare Lda, Rua Estrada Velha, 949, P-4465-784 Leça do Balio  
Tel: (351) (0)225 1059 46/47, Fax: (351) (0)225 1057 39  
portugal@invacare.com / www.invacare.pt

**Sverige & Suomi:**

Invacare AB, Fagerstagatan 9, S-163 91 Spånga  
Tel: (46) (0)8 761 70 90, Fax: (46) (0)8 761 81 08  
sweden@invacare.com, finland@invacare.com / www.invacare.se

**Switzerland:**

Invacare AG, Benkenstrasse 260, CH-4108 Witterswil  
Tel: (41) (0)61 487 70 80, Fax: (41) (0)61 487 70 81  
switzerland@invacare.com / www.invacare.ch

**United Kingdom:**

Invacare Limited, Pencoed Technology Park, Pencoed, Bridgend CF35 5AQ  
Switchboard Tel: (44) (0)1656 776200, Fax: (44) (0)1656 776201  
Customer services Tel: (44) (0)1656 776222, Fax: (44) (0)1656 776220  
uk@invacare.com / www.invacare.co.uk